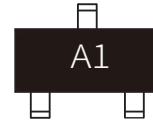


FEATURES

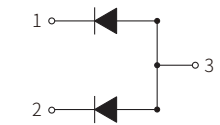
- | Fast Switching Speed
- | For General Purpose Switching Applications
- | High Conductance



SOT-523



Marking



Schematic Symbol

MECHANICAL DATA

- | SOT-523 Small Outline Plastic Package
- | Epoxy UL: 94V-0
- | Mounting Position: Any

APPROVALS

RoHS	Compliance with 2011/65/EU
HF	Compliance with IEC61249-2-21:2003

MAXIMUM RATINGS ($T_A=25^{\circ}\text{C}$)

Parameter	Symbol	Value	Unit
Reverse Voltage	V_R	85	V
Forward Current	I_O	75	mA
Forward Power Dissipation	P_D	150	mW
Operating Junction Temperature	T_J	150	$^{\circ}\text{C}$
Storage Temperature Range	T_{STG}	-55 to +150	$^{\circ}\text{C}$

ELECTRICAL CHARACTERISTICS($T_A=25^{\circ}\text{C}$)

Parameter	Symbol	Test Conditions	Min.	Typ.	Max.	Unit
Forward Voltage	V_F	$I_F=1\text{mA}$			715	mV
		$I_F=10\text{mA}$			855	
		$I_F=50\text{mA}$			1000	
		$I_F=150\text{mA}$			1250	
Reverse Breakdown Voltage	$V_{(BR)}$	$I_R=1\mu\text{A}$	85			V
Reverse Voltage Leakage Current	I_{R1}	$V_R=75\text{V}$			2	μA
	I_{R2}	$V_R=25\text{V}$			0.03	μA
Diode Capacitance	C_D	$V_R=0\text{V}$, $f=1\text{MHz}$			1.5	pF
Reverse Recovery Time	t_{rr}	$I_F=I_R=10\text{mA}$, $R_L=100\Omega$ $I_{rr}=0.1 \times I_R$			4	nS

CHARACTERISTIC CURVES

Fig.1 Forward Characteristics

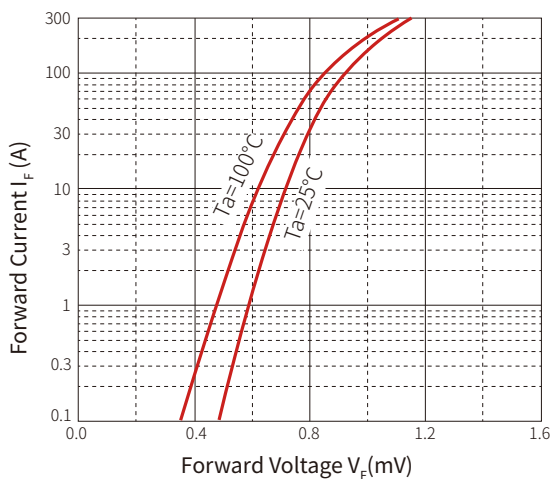


Fig.2 Reverse Characteristics

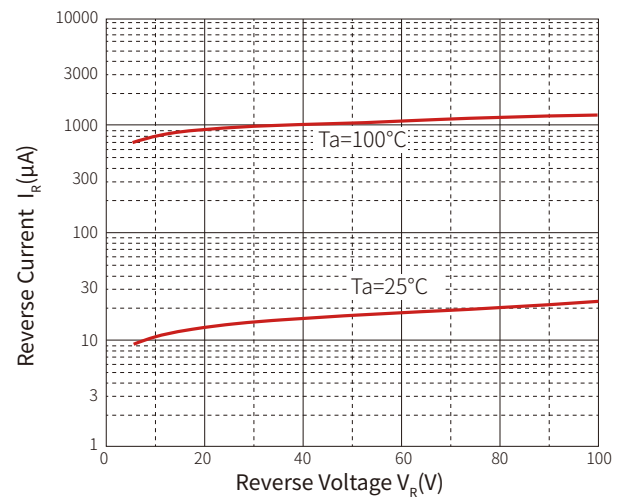
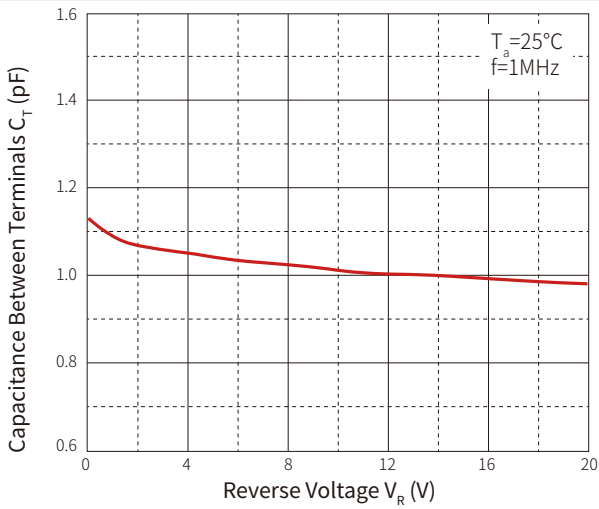
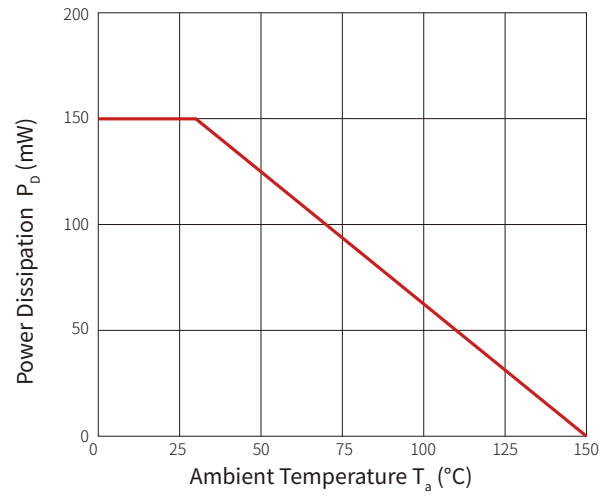
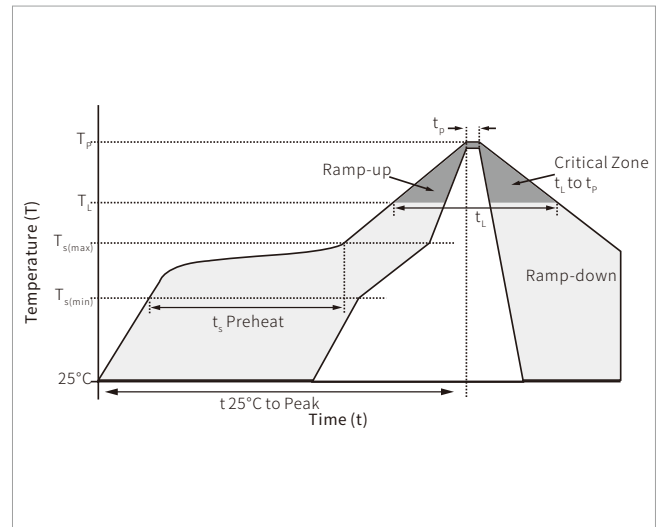


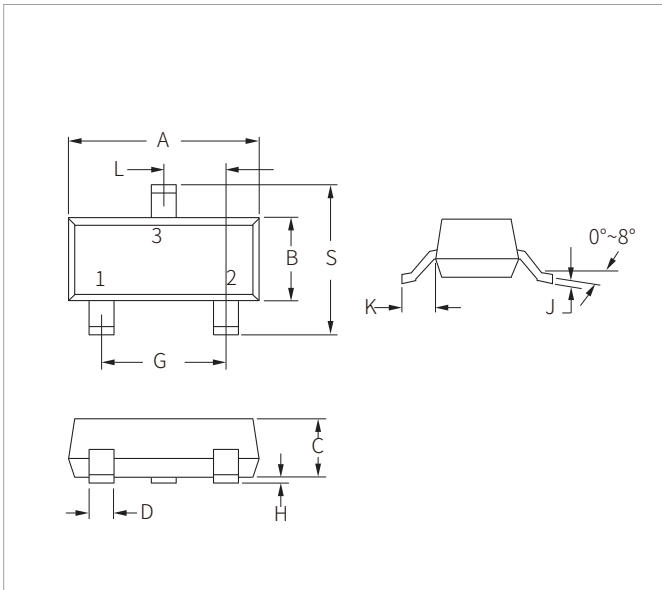
Fig.3 Capacitance Characteristics

Fig.4 Power Derating Curve


SOLDERING PARAMETERS

Reflow Condition		Lead-free assembly
Pre Heat	Temperature Max ($T_{s(min)}$)	150°C
	Temperature Max ($T_{s(max)}$)	200°C
	Time (min to max) (t_s)	60 – 180 secs
Average ramp up rate (Liquidus Temp (T_L) to peak)		3°C/second max
$T_{s(max)}$ to T_L - Ramp-up Rate		3°C/second max
Reflow	Temperature (T_L) (Liquidus)	217°C
	Time (min to max) (t_L)	60 – 150 seconds
Peak Temperature (T_p)		260°C
Time within 5°C of actual peak Temperature (t_p)		20 – 40 seconds
Ramp-down Rate		6°C/second max
Time 25°C to peak Temperature (T_p)		8 minutes max.
Do not exceed		260°C

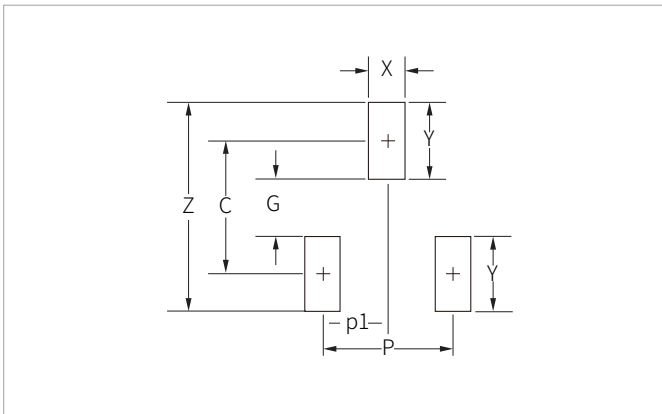


SOT-523 PACKAGE INFORMATION



Ref.	Millimeters		Inches	
	Min.	Max.	Min.	Max.
A	1.50	1.70	0.059	0.067
B	0.75	0.85	0.029	0.033
C	0.60	0.80	0.023	0.031
D	0.15	0.30	0.005	0.012
G	1.00BSC		0.039BSC	
H	0.00	0.10	0.000	0.004
J	0.10	0.20	0.004	0.008
K	(0.22)		(0.009)	
L	0.50BSC		0.020BSC	
S	1.45	1.75	0.057	0.069

RECOMMENDED PAD LAYOUT DIMENSIONS



Ref.	Millimeters	Inches
C	(1.40)	(0.055)
P	1.00	0.039
p1	0.50	0.020
G	0.60	0.024
X	0.40	0.016
Y	0.80	0.031
Z	2.20	0.087

ORDERING INFORMATION

Part Number	Component Package	QTY/Reel	Reel Size
BAV56T	SOT-523	3000PCS	7"

Headquarters

No.3387 Shendu Road
Pujiang I&E Park
Minhang Shanghai China
201000

Hotline

400-021-5756

Web

<https://www.semiware.com>

Sales Center

Tel: 86-21-3463-7458
Email: sales18@semiware.com

Customer Service

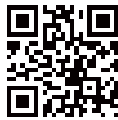
Tel: 86-21-5484-1001
Email: sales17@semiware.com

Technical Support

Tel: 86-21-3463-7654
Email: fae01@semiware.com

Complaint & Suggestions

Tel: 86-21-3463-7172
Ext: 8868
Email: cs03@semiware.com

By QR Code

Website



Wechat

To find your local partner within Semiware's global website: www.semiware.com

© 2022 Semiware Semiconductor Inc.

The content of this document has been carefully checked and understood. However, neither Semiware nor its subsidiaries assume any liability whatsoever for any errors or inaccuracies of this document and the consequences thereof. Published specifications are subject to change without notice. Product suitability for any area of application must ultimately be determined by the customer. In all cases, products must never be operated outside their published specifications. Semiware does not guarantee the availability of all published products. This disclaimer shall be governed by substantive Chinese law and resulting disputes shall be settled by the courts at the place of business of Semiware. Latest publications and a complete disclaimer can be downloaded from the Semiware website. All trademarks recognized.