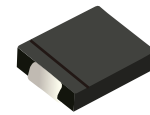
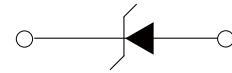


FEATURES

- | Glass Passivated Chip Junction
- | Ideal For Automated Placement
- | Fast Switching For High Efficiency
- | High Surge Current Capability



DO-214AB(SMC)



Schematic Symbol

APPLICATIONS

- | Switching Mode Power Supply (SMPS)
- | Adapters
- | Lighting Application
- | Converter

APPROVALS

RoHS	Compliance with 2011/65/EU
HF	Compliance with IEC61249-2-21:2003

MAXIMUM RATINGS AND CHARACTERISTICS (T_A=25°C)

Parameter	Symbol	RS3A	RS3B	RS3D	RS3G	RS3J	RS3K	RS3M	Unit
Marking		RS3A	RS3B	RS3D	RS3G	RS3J	RS3K	RS3M	
Maximum Repetitive Peak Reverse Voltage	V _{RRM}	50	100	200	400	600	800	1000	
Maximum RMS Voltage	V _{RMS}	35	70	140	280	420	560	700	V
Maximum DC Blocking Voltage	V _{DC}	50	100	200	400	600	800	1000	
Maximum Average Forward Rectified Current	I _{F(AV)}	3							A
Surge Peak Forward Current 8.3ms Single Half Sine-Wave Superimposed On Rated Load Per Diode	I _{FSM}	100							
Forward Voltage Per Diode I _F =3a, T _J =25°C ⁽¹⁾	V _F	1.3							V
Reverse Current @ Rated V _R Per Diode ⁽²⁾	T _J =25°C	10							μA
	T _J =125°C	250							
Reverse Recovery Time I _F =0.5A, I _R =1.0A, I _{RR} =0.25A	T _{rr}	150				250	500		ns
Junction-to-Lead Thermal Resistance Per Diode	R _{θJL}	15							°C/W
Junction-to-Ambient Thermal Resistance Per Diode	R _{θJA}	50							°C/W
Operating Junction And Storage Temperature Range	T _J , T _{STG}	-55 to +150							°C

Note :

- 1.Pulse test with PW=0.3 ms
- 2.Pulse test with PW=30 ms

CHARACTERISTIC CURVES

Fig. 1- Maximum Forward Current Derating Curve

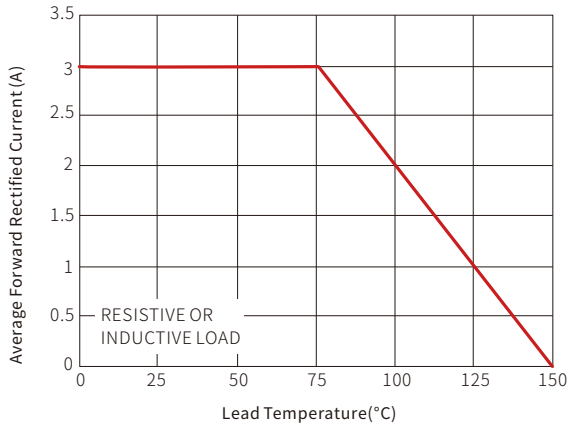


Fig. 2-Typical Reverse Characteristics

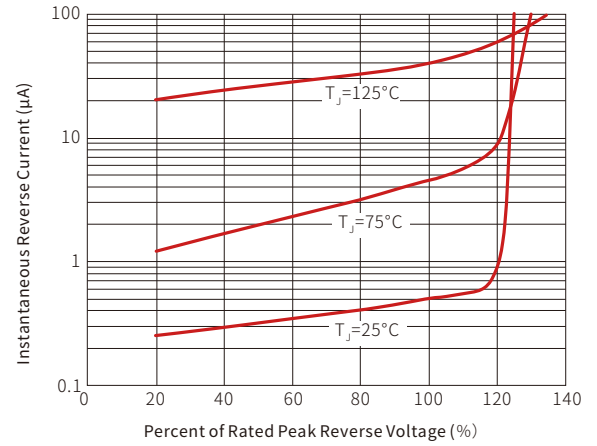


Fig. 3-Typical Junction Capacitance

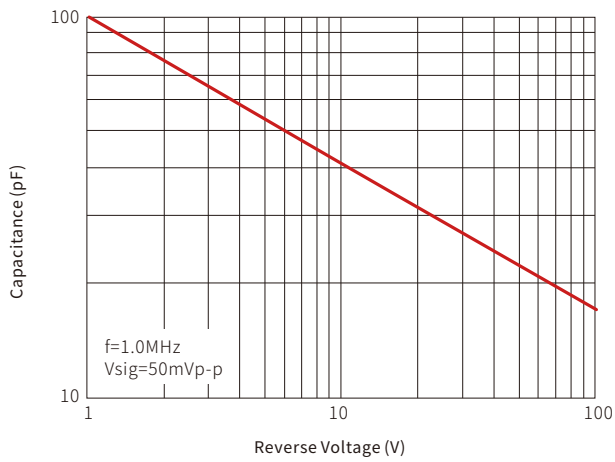


Fig. 4-Typical Instantaneous Forward Characteristics

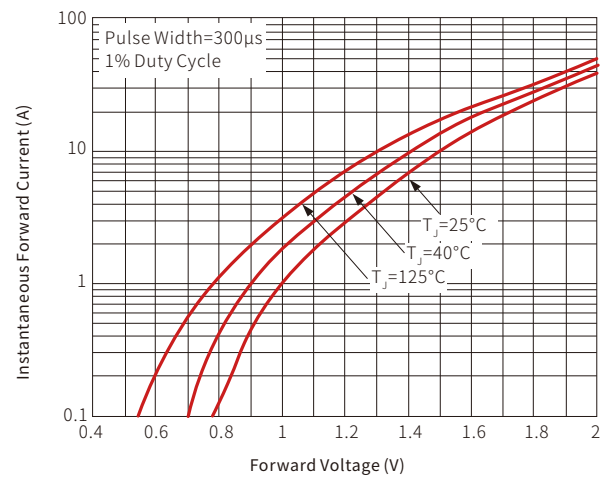


Fig. 5- Maximum Non-repetitive Forward Surge Current

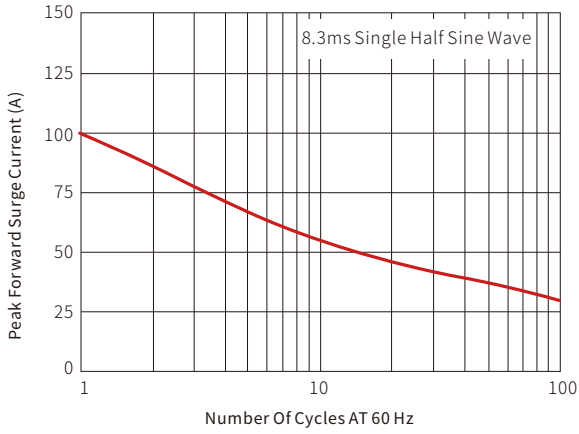
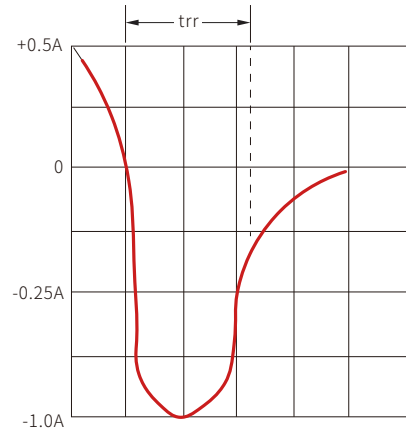
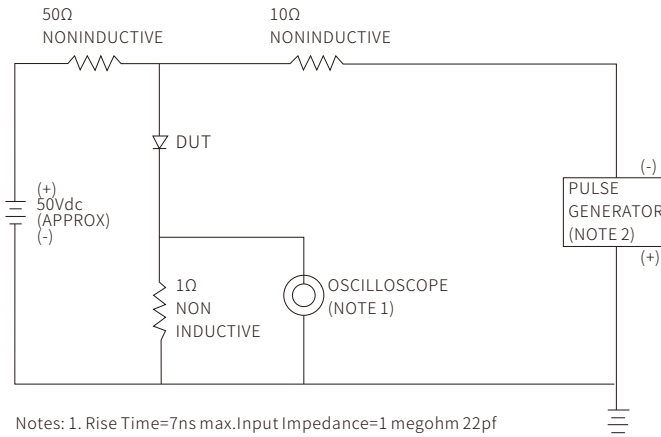
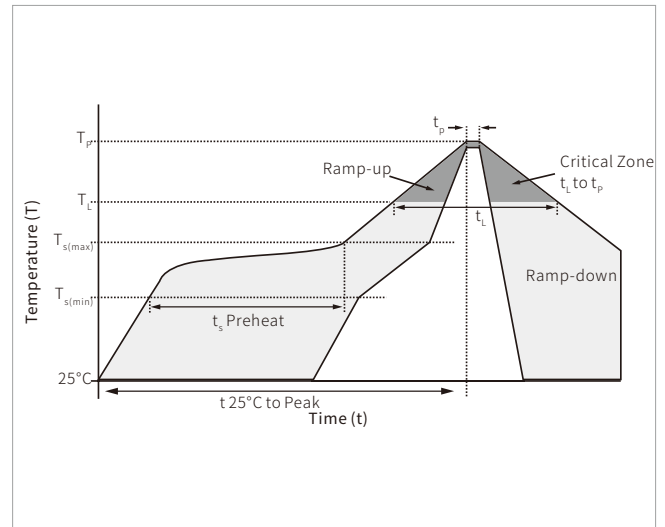


Fig. 6-Reverse Recovery Time Characteristic And Test Circuit Diagram

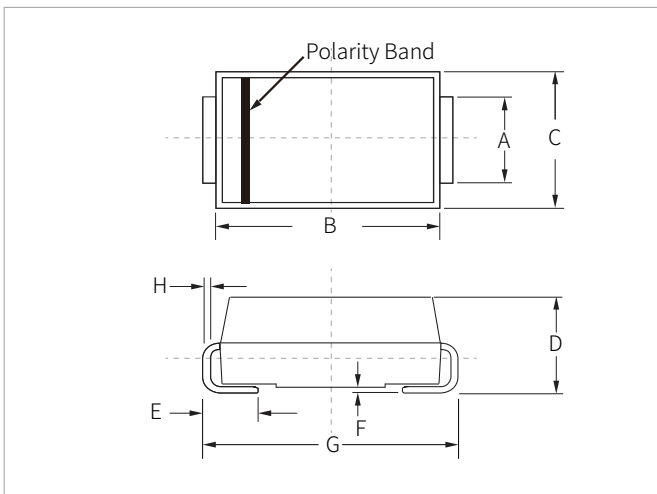


SOLDERING PARAMETERS

Reflow Condition		Lead-free assembly
Pre Heat	Temperature Max ($T_{s(min)}$)	150°C
	Temperature Max ($T_{s(max)}$)	200°C
	Time (min to max) (t_s)	60 – 180 secs
Average ramp up rate (Liquidus Temp (T_L) to peak)		3°C/second max
$T_{s(max)}$ to T_L - Ramp-up Rate		3°C/second max
Reflow	Temperature (T_L) (Liquidus)	217°C
	Time (min to max) (t_L)	60 – 150 seconds
Peak Temperature (T_p)		260°C
Time within 5°C of actual peak Temperature (t_p)		20 – 40 seconds
Ramp-down Rate		6°C/second max
Time 25°C to peak Temperature (T_p)		8 minutes max.
Do not exceed		260°C

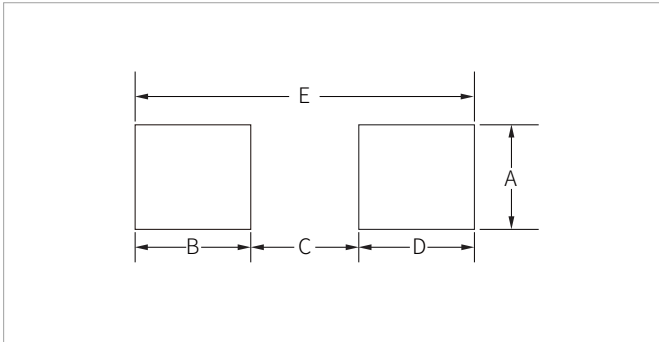


DO-214AB(SMC) PACKAGE INFORMATION



Ref.	Millimeters		Inches	
	Min.	Max.	Min.	Max.
A	2.80	3.20	0.110	0.126
B	6.60	7.20	0.260	0.283
C	5.70	6.10	0.224	0.240
D	2.15	2.75	0.085	0.108
E	1.00	1.60	0.039	0.063
F	0.02	0.20	0.000	0.008
G	7.60	8.00	0.299	0.315
H	0.15	0.30	0.006	0.012

RECOMMENDED PAD LAYOUT DIMENSIONS



Ref.	Millimeters		Inches	
	Min.	Max.	Min.	Max.
A	3.30	-	0.129	-
B	2.40	-	0.094	-
C	-	4.20	-	0.165
D	2.40	-	0.094	-
E	8.20REF		0.323REF	

ORDERING INFORMATION

Part Number	Component Package	QTY/Reel	Reel Size
RS3A-RS3M	DO-214AB(SMC)	3000PCS	13"

Headquarters

No.3387 Shendu Road
Pujiang I&E Park
Minhang Shanghai China
201000

Hotline

400-021-5756

Web

<https://www.semiware.com>

Sales Center

Tel: 86-21-3463-7458
Email: sales18@semiware.com

Customer Service

Tel: 86-21-5484-1001
Email: sales17@semiware.com

Technical Support

Tel: 86-21-3463-7654
Email: fae01@semiware.com

Complaint & Suggestions

Tel: 86-21-3463-7172
Ext: 8868
Email: cs03@semiware.com

By QR Code

Website



Wechat

To find your local partner within Semiware' s global website: www.semiware.com

© 2022 Semiware Semiconductor Inc.

The content of this document has been carefully checked and understood. However, neither Semiware nor its subsidiaries assume any liability whatsoever for any errors or inaccuracies of this document and the consequences thereof. Published specifications are subject to change without notice. Product suitability for any area of application must ultimately be determined by the customer. In all cases, products must never be operated outside their published specifications. Semiware does not guarantee the availability of all published products. This disclaimer shall be governed by substantive Chinese law and resulting disputes shall be settled by the courts at the place of business of Semiware. Latest publications and a complete disclaimer can be downloaded from the Semiware website. All trademarks recognized.