

FEATURES

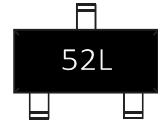
- | Small package(2.9mm×2.4mm×1.0mm)
- | Protects two data lines
- | Low capacitance:0.2pF Typical(I/O-I/O)
- | Low leakage voltage
- | Low clamping voltage

APPLICATIONS

- | Serial ATA
- | Desktops,Servers and Notebooks
- | PCI Express
- | MDDI Ports
- | USB Data Line Protection
- | Display Ports
- | Digital Visual Interfaces(DVI)



SOT-23



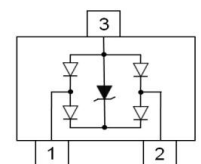
Marking

IEC COMPATIBILITY

- | IEC61000-4-2 (ESD) ±20kV (air), ±20kV (contact)
- | IEC61000-4-4 (EFT) 40A (5/50ns)

APPROVALS

- RoHS** | Compliance with 2011/65/EU
- HF** | Compliance with IEC61249-2-21:2003



Schematic Symbol

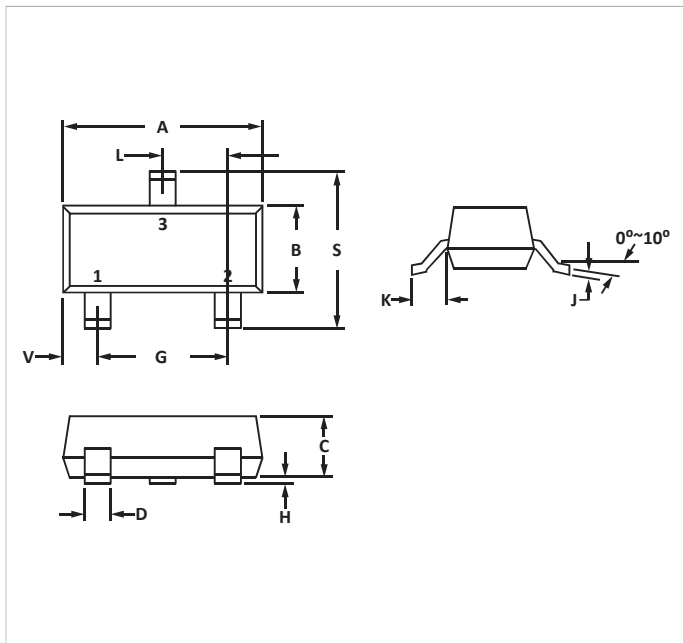
THERMAL CONSIDERATIONS

Symbol	Parameter	Value	Unit
P_{PP}	Peak Pulse Power (tp=8/20μs waveform)	60	Watts
T_J	Operating Temperature Range	-55 to +125	°C
T_{STG}	Storage Temperature Range	-55 to +150	°C

THERMAL CONSIDERATIONS

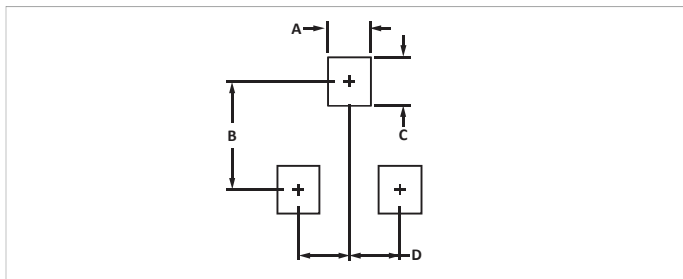
Symbol	Parameter	Condition	Min.	Typ.	Max.	Unit
V_{RWM}	Reverse Stand-off Voltage				5	V
V_{BR}	Reverse Breakdown Voltage	$I_T=1\text{mA}$	6			V
I_R	Reverse Leakage Current	$V_{RWM}=5\text{V}$			0.1	μA
V_C	Clamping Voltage (Tp=8/20Ms)	$I_{PP}=1\text{A}, tp=8/20\text{us}$			10	V
V_C	Clamping Voltage (Tp=8/20Ms)	$I_{PP}=4\text{A}, tp=8/20\text{us}$			15	V
V_F	Forward Voltage	$I_T=10\text{mA}$, Between I/O and GND			1.2	V
I_{PP}	Peak Pulse Current (Tp=8/20Ms)	tp=8/20us			4	A
C_J	Off State Junction Capacitance	$V_R=0\text{V}, f=1\text{MHz}$ I/O-GND		0.4		pF
C_J	Off State Junction Capacitance	$V_R=0\text{V}, f=1\text{MHz}$ I/O-I/O		0.2		pF

SOT-23 PACKAGE INFORMATION



DIM	Millimeters		Inches	
	Min.	Max.	Min.	Max.
A	2.80	3.04	0.110	0.120
B	1.20	1.40	0.047	0.055
C	0.89	1.11	0.035	0.044
D	0.37	0.50	0.015	0.020
G	1.78	2.04	0.070	0.081
H	0.01	0.100	0.001	0.004
J	0.085	0.180	0.003	0.007
K	0.35	0.69	0.014	0.029
L	0.89	1.02	0.035	0.040
S	2.10	2.64	0.083	0.104
V	0.45	0.60	0.018	0.024

RECOMMENDED PAD LAYOUT DIMENSIONS



item	Millimeters		Inches	
	Min	Max	Min	Max
A	0.71	0.97	0.028	0.038
B	1.88	2.13	0.074	0.084
C	0.71	0.97	0.028	0.038
D	0.81	1.07	0.032	0.042

ORDERING INFORMATION

Part Number	Component Package	QTY/Reel	Reel Size
SE23T10U5.0UB1	SOT-23	3000PCS	7"

Headquarters

No.3387 Shendu Road Pujiang
I&E Park
Minhang Shanghai China
201000

Hotline

400-021-5756

Web

<https://www.semiware.com>

Sales center

Tel: 86-21-3463-7458
Email: sales18@semiware.com

Customer Service

Tel: 86-21-5484-1001
Email: sales17@semiware.com

Technical Support

Tel: 86-21-3463-7654
Email: fae01@semiware.com

Complaint & Suggestions

Tel: 86-21-3463-7172
Ext: 8868
Email: cs03@semiware.com

By QR Code

Website



Wechat

To find your local partner within Semiware's global network: www.semiware.com

© 2022 Semiware Semiconductor Inc.

The content of this document has been carefully checked and understood. However, neither Semiware nor its subsidiaries assume any liability whatsoever for any errors or inaccuracies of this document and the consequences thereof. Published specifications are subject to change without notice. Product suitability for any area of application must ultimately be determined by the customer. In all cases, products must never be operated outside their published specifications. Semiware does not guarantee the availability of all published products. This disclaimer shall be governed by substantive Swiss law and resulting disputes shall be settled by the courts at the place of business of Semiware. Latest publications and a complete disclaimer can be downloaded from the Semiware website. All trademarks recognized.