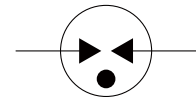


FEATURES

- | Surface Mounting Design $\Phi 16.0 \times 4.6 \text{mm}$
- | High Current Handling Capability 20000A @ 8/20 μs
- | Low Capacitance and Insertion Loss
- | Quick Response and Long Service Life
- | Moisture sensitivity level: Level 1



$\Phi 16.0 \times 4.6 \text{mm}$




Schematic Symbol

APPLICATION INFORMATION

- | AC-POWER Line&Class II
- | Industrial equipment
- | SPD Module

AGENCY APPROVALS

Icon	Solderability
RoHS	Compliance with 2011/65/EU
HF	Compliance with IEC61249-2-21:2003
	Mean lead free

PRODUCT CHARACTERISTICS

Lead Material	Body Material	Terminal Finish
Copper or Fe-Ni alloy	Ceramics	100% Matte-Tin Plated

ELECTRICAL PARAMETER

Parameter		Rating	Unit
DC Blocking Voltage		480-720	V
Impulse Spark-over Voltage 1KV/us		≤1400	V
Hybird tester,Limiting voltage At 1.2/50us, 5KV		≤1400	V
Insulation resistance at DC 100V		≥1	GΩ
Capacitance at 1MHz ¹⁾		≤2.5	pF
Class II ¹⁾ Max. continuous operating voltage at 50/60 Hz	Uc	280	Vrms
Class II ¹⁾ Nominal discharge current 8/20 μs	In	20	KA
Class II ¹⁾ Maximum discharge current 8/20 μs	Imax	40	KA
Class II ¹⁾ Follow on current at 50/60Hz	If	100	A
Arc voltage at 1A		25	V
Storage temperature		40 - +90	°C

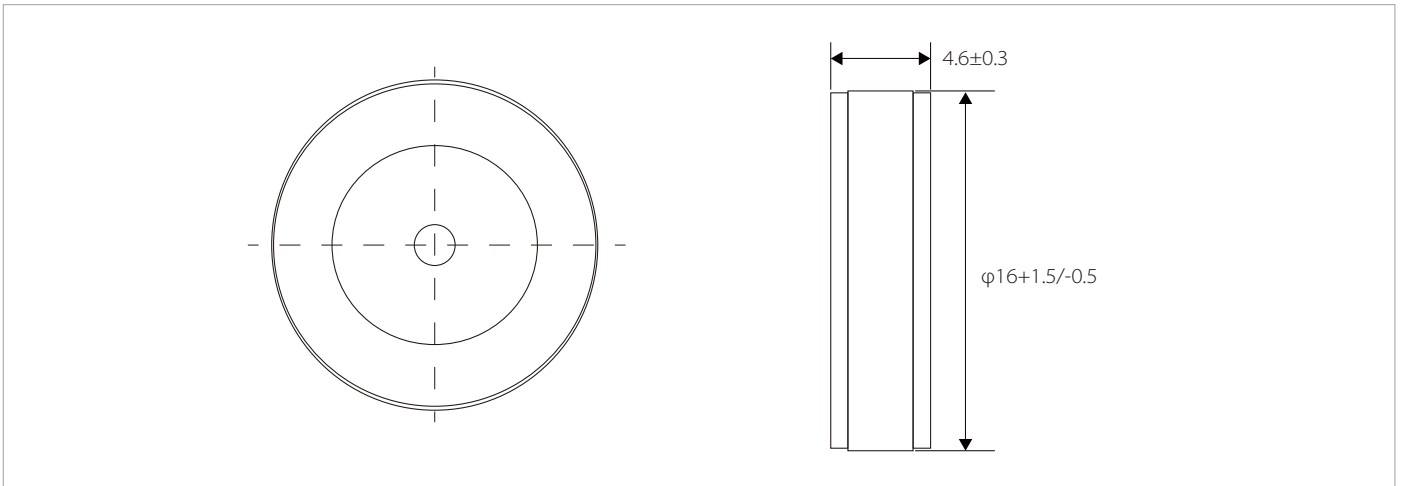
1) DC spark-over voltage >450V after load
 Tests according to IEC61613-311

ENVIRONMENTAL RELIABILITY CHARACTERISTICS

Testing items	Technical standards
High Temperature Storage Test	Temperature: 85°C ; Time:2H
Low Temperature Storage Test	Temperature: -40°C ; Time:2H
Vibration	Frequency: 10-500Hz ; Amplitude: 0.15mm ; Time:45min
Resistance of soldering heat	Temperature: 260±5°C; Time of dip soldering: 10s, 1time

NOTE: Up-screen program can be specified by customer's request via contacting Semiware service

PRODUCT DIMENSIONS AND RECOMMENDED SOLDERING PAD



Headquarters

No.3387 Shendu Road Pujiang
I&E Park
Minhang Shanghai China
201000

Hotline

400-021-5756

Web

<https://www.semiware.com>

Sales Center

Tel: 86-21-3463-7458
Email: sales18@semiware.com

Customer Service

Tel: 86-21-5484-1001
Email: sales17@semiware.com

Technical Support

Tel: 86-21-3463-7654
Email: fae01@semiware.com

Complaint & Suggestions

Tel: 86-21-3463-7172
Ext: 8868
Email: cs03@semiware.com

By QR Code

Website



Wechat

To find your local partner within Semiware's global network: www.semiware.com

© 2022 Semiware Semiconductor Inc.

The content of this document has been carefully checked and understood. However, neither Semiware nor its subsidiaries assume any liability whatsoever for any errors or inaccuracies of this document and the consequences thereof. Published specifications are subject to change without notice. Product suitability for any area of application must ultimately be determined by the customer. In all cases, products must never be operated outside their published specifications. Semiware does not guarantee the availability of all published products. This disclaimer shall be governed by substantive Chinese law and resulting disputes shall be settled by the courts at the place of business of Semiware. Latest publications and a complete disclaimer can be downloaded from the Semiware website. All trademarks recognized.