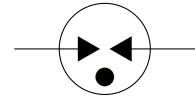


## FEATURES

- | Surface Mounting Design  $\Phi 30.0 \times 12.5\text{mm}$
- | High Current Handling Capability 100000A @ 8/20  $\mu\text{s}$
- | Low Capacitance and Insertion Loss
- | Quick Response and Long Service Life
- | Moisture sensitivity level: Level 1



$\Phi 30.0 \times 12.5\text{mm}$



Schematic Symbol

## APPLICATION INFORMATION

- | AC-POWER Line&Class I、II
- | Industrial equipment
- | SPD Module

## AGENCY APPROVALS

Icon	Solderability
RoHS	Compliance with 2011/65/EU
HF	Compliance with IEC61249-2-21:2003
	Mean lead free

## PRODUCT CHARACTERISTICS

Lead Material	Body Material	Terminal Finish
Copper or Fe-Ni alloy	Ceramics	100% Matte-Tin Plated

## ELECTRICAL PARAMETER

Parameter		Rating	Unit
DC Blocking Voltage		480-720	V
Impulse breakdown voltage at 1kv/μs-For 99% measure values		≤1300	V
Insulation resistance at DC 100V		≥1	GΩ
Capacitance at 1MHz <sup>1)</sup>		≤4	pF
Class I <sup>1)</sup> Max. continuous operating voltage at 50/60 Hz	Uc	255	Vrms
Class I <sup>1)</sup> Nominal discharge current 8/20 μs	In	50	KA
Class I <sup>1)</sup> Maximum discharge current 10/350μs	Iimp	50	KA
Class I <sup>1)</sup> Follow on current at 50/60Hz	If	105	Arms
Class II <sup>1)</sup> Max. continuous operating voltage at 50/60 Hz	Uc	255	Vrms
Class II <sup>1)</sup> Nominal discharge current 8/20 μs	In	100	KA
Class II <sup>1)</sup> Maximum discharge current 8/20 μs	I <sub>max</sub>	200	KA
Class II <sup>1)</sup> Follow on current at 50/60Hz	If	105	Arms
Storage temperature		40 - +90	°C

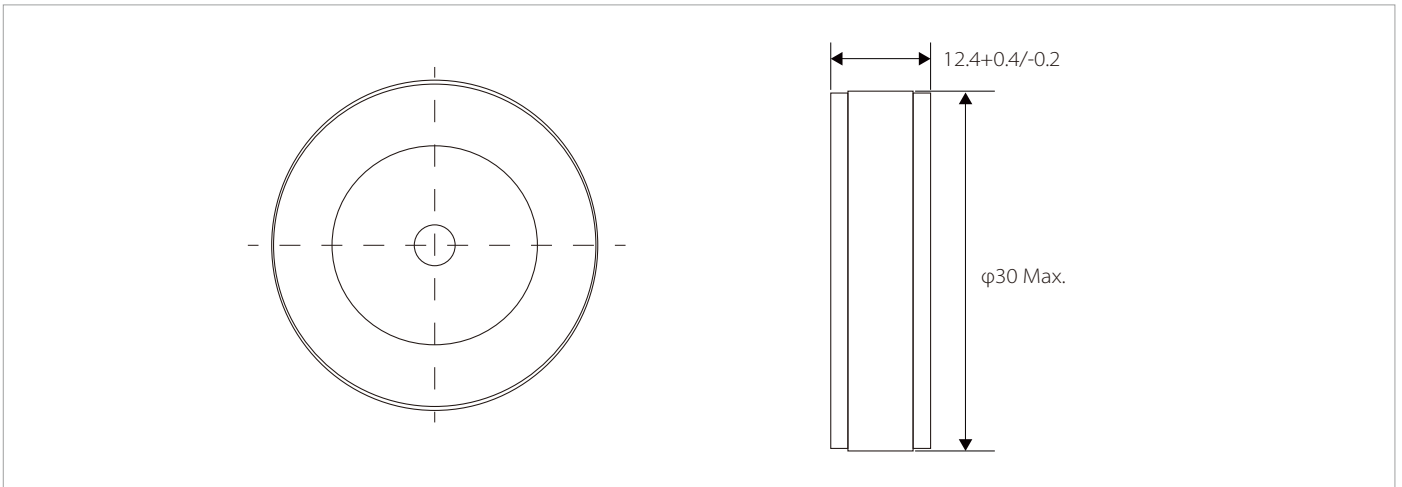
1) DC spark-over voltage >420V after load  
 Tests according to IEC61643-311

## ENVIRONMENTAL RELIABILITY CHARACTERISTICS

Testing items	Technical standards
High Temperature Storage Test	Temperature: 85°C ; Time:2H
Low Temperature Storage Test	Temperature: -40°C ; Time:2H
Vibration	Frequency: 10-500Hz ; Amplitude: 0.15mm ; Time:45min
Resistance of soldering heat	Temperature: 260±5°C; Time of dip soldering: 10s, 1time

**NOTE:** Up-screen program can be specified by customer's request via contacting Semiware service

## PRODUCT DIMENSIONS AND RECOMMENDED SOLDERING PAD



**Headquarters**

No.3387 Shendu Road Pujiang  
I&E Park  
Minhang Shanghai China  
201000

**Hotline**

400-021-5756

**Web**

<https://www.semiware.com>

**Sales Center**

Tel: 86-21-3463-7458  
Email: [sales18@semiware.com](mailto:sales18@semiware.com)

**Customer Service**

Tel: 86-21-5484-1001  
Email: [sales17@semiware.com](mailto:sales17@semiware.com)

**Technical Support**

Tel: 86-21-3463-7654  
Email: [fae01@semiware.com](mailto:fae01@semiware.com)

**Complaint & Suggestions**

Tel: 86-21-3463-7172  
Ext: 8868  
Email: [cs03@semiware.com](mailto:cs03@semiware.com)

**By QR Code**

Website



Wechat

To find your local partner within Semiware's global network: [www.semiware.com](http://www.semiware.com)

© 2022 Semiware Semiconductor Inc.

The content of this document has been carefully checked and understood. However, neither Semiware nor its subsidiaries assume any liability whatsoever for any errors or inaccuracies of this document and the consequences thereof. Published specifications are subject to change without notice. Product suitability for any area of application must ultimately be determined by the customer. In all cases, products must never be operated outside their published specifications. Semiware does not guarantee the availability of all published products. This disclaimer shall be governed by substantive Chinese law and resulting disputes shall be settled by the courts at the place of business of Semiware. Latest publications and a complete disclaimer can be downloaded from the Semiware website. All trademarks recognized.