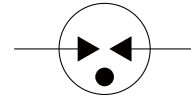


FEATURES

- | Surface Mounting Design $\Phi 30.0 \times 3.0\text{mm}$
- | High Current Handling Capability 30,000A @ 8/20 μs
- | Extremely fast response time
- | Stable performance over life
- | High insulation resistance



$\Phi 30.0 \times 3.0\text{mm}$



Schematic Symbol

APPLICATION INFORMATION

- | AC-POWER Line devices & Class I and Class II

AGENCY APPROVALS

Icon	Solderability
RoHS	Compliance with 2011/65/EU
HF	Compliance with IEC61249-2-21:2003
	Mean lead free

PRODUCT CHARACTERISTICS

Lead Material	Body Material	Terminal Finish
Copper or Fe-Ni alloy	Ceramics	100% Matte-Tin Plated

ELECTRICAL PARAMETER

Parameter		Rating	Unit
DC Blocking Voltage-Circuit current less than 2mA		>600	V
Impulse breakdown voltage at 1.2/50us,6KV for 99% of measured values		≤1500	V
Insulation resistance at DC 100V		≥1	GΩ
Class I ²⁾ Nominal discharge current 8/20 μs	In	30	KA
Class I ²⁾ Maximum discharge current 10/350μs	Iimp	25	KA
Class I ²⁾ Max. continuous operating voltage at 50/60 Hz	Uc	275	Vrms
Class II ²⁾ Nominal discharge current 8/20 μs	In	30	KA
Class II ²⁾ Maximum discharge current 8/20 μs	I _{max}	40	KA
Class II ²⁾ Max.continuous operating voltage at 50/60 Hz	Uc	275	Arms
Storage temperature		40 - +125	°C

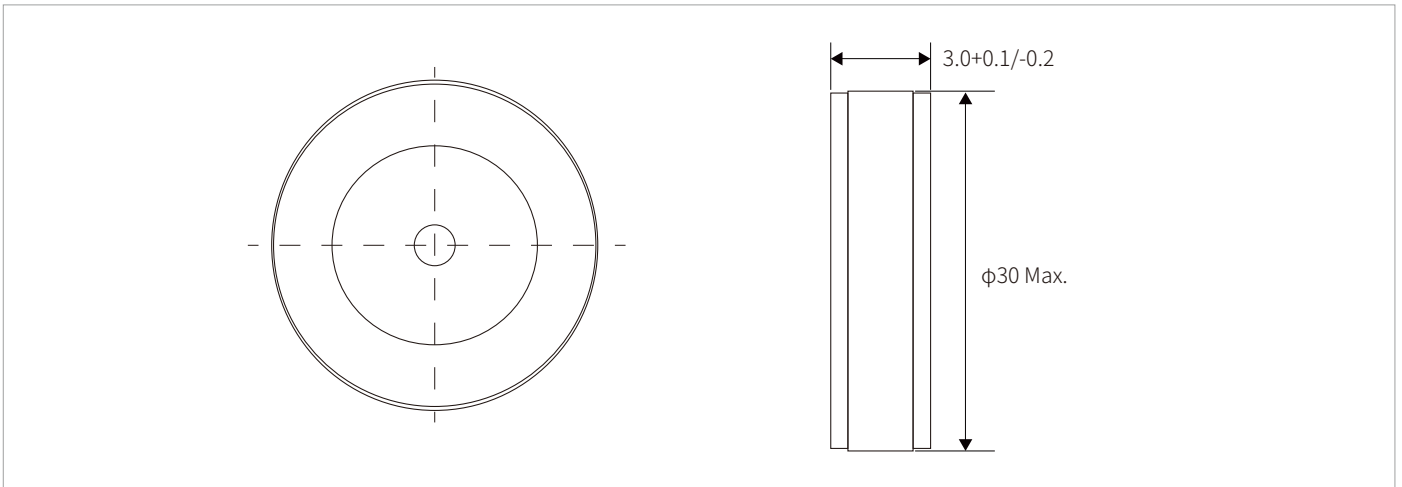
2) DC spark-over voltage 450V~1000V, Impulse spark-over voltage ≤1500V after load

ENVIRONMENTAL RELIABILITY CHARACTERISTICS

Testing items	Technical standards
High Temperature Storage Test	Temperature: 85°C ; Time:2H
Low Temperature Storage Test	Temperature: -40°C ; Time:2H
Vibration	Frequency: 10-500Hz ; Amplitude:0.15mm ; Time:45min
Resistance of soldering heat	Temperature: 260±5°C; Time of dip soldering: 10s, 1time

NOTE:Up-screen program can be specified by customer' s request via contacting Semiware service

DIMENSIONS AND RECOMMENDED SOLDERING PAD



Headquarters

No.3387 Shendu Road
Pujiang I&E Park
Minhang Shanghai China
201000

Hotline

400-021-5756

Web

<https://www.semiware.com>

Sales Center

Tel: 86-21-3463-7458
Email: sales18@semiware.com

Customer Service

Tel: 86-21-5484-1001
Email: sales17@semiware.com

Technical Support

Tel: 86-21-3463-7654
Email: fae01@semiware.com

Complaint & Suggestions

Tel: 86-21-3463-7172
Ext: 8868
Email: cs03@semiware.com

By QR Code

Website



Wechat

To find your local partner within Semiware' s global website: www.semiware.com

© 2022 Semiware Semiconductor Inc.

The content of this document has been carefully checked and understood. However, neither Semiware nor its subsidiaries assume any liability whatsoever for any errors or inaccuracies of this document and the consequences thereof. Published specifications are subject to change without notice. Product suitability for any area of application must ultimately be determined by the customer. In all cases, products must never be operated outside their published specifications. Semiware does not guarantee the availability of all published products. This disclaimer shall be governed by substantive Chinese law and resulting disputes shall be settled by the courts at the place of business of Semiware. Latest publications and a complete disclaimer can be downloaded from the Semiware website. All trademarks recognized.