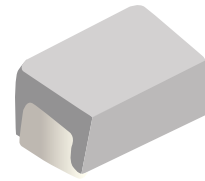


FEATURES

- | Improved component design in a compact case
- | High surge current capability
- | Superior performance at high temperature
- | SMD mountable disk varistors, suitable for lead-free reflow / wave soldering



3225

APPLICATIONS

- | Power supplies for telecommunication systems
- | Protection for LED circuits
- | Protection for consumer, industrial equipment
- | Protection for automotive electronics

APPLICABLE STANDARDS

- | UL1449
- | TUV RH IEC61051-1

APPROVALS

RoHS	Compliance with 2011/65/EU
HF	Compliance with IEC61249-2-21:2003

GENERAL TECHNICAL DATA

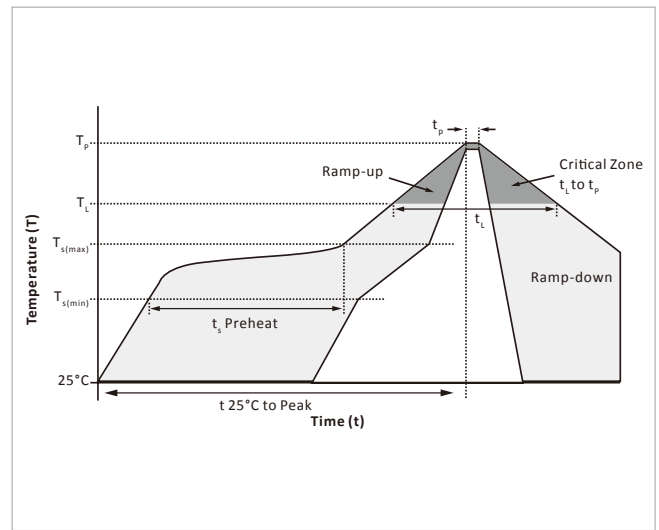
Parameter	Value	Unit
Operating temperature	-55 to +125	°C
Storage temperature	-55 to +150	°C
Electric strength	≥2.5	kV _{RMS}
Insulation resistance	≥100	MΩ

ELECTRICAL CHARACTERISTICS

Part Number	Continious Voltage		Peak Current (8/20us)		Energy	Rated Power ($T_a=125^{\circ}\text{C}$) (mW)	Varistor Voltage at 1mA ($\pm 10\%$) V	Clamping Voltage at Class Current (8/20 ps) V	Class Current (8/20 ps) A	Capacitance ($T_a=125^{\circ}\text{C}$) Max (at 1 kHz) Max PF
	Max		Max		Max					
	V_{RMS}	V_{DC}	H 1time	H-J 1time	2ms1time					
	(V)	(V)	(A)	(A)	(J)					
SMV3225 - 180H/H-J	11	14	250	500	0.4	20	18	36	2.5	3000
SMV3225 - 220H/H-J	14	18	250	500	0.5	20	22	43	2.5	2500
SMV3225 - 270H/H-J	17	22	250	500	0.7	20	27	53	2.5	2000
SMV3225 - 330H/H-J	20	26	250	500	0.8	20	33	65	2.5	1800
SMV3225 - 390H/H-J	25	31	250	500	0.9	20	39	77	2.5	1000
SMV3225 - 470H/H-J	30	38	250	500	1.1	20	47	93	2.5	1500
SMV3225 - 560H/H-J	35	45	250	500	1.3	20	56	110	2.5	1250
SMV3225 - 680H/H-J	40	56	250	500	1.6	20	68	135	2.5	1200
SMV3225 - 820H/H-J	50	65	1250	1500	2.5	200	82	135	10	900
SMV3225 - 101H/H-J	60	85	1250	1500	3.0	200	100	165	10	600
SMV3225 - 121H/H-J	75	100	1250	1500	3.5	200	120	200	10	420
SMV3225 - 151H/H-J	95	125	1250	1500	4.5	200	150	250	10	350
SMV3225 - 181H/H-J	115	150	1250	1500	4.5	200	180	300	10	300
SMV3225 - 201H/H-J	130	170	1250	1500	6.0	200	200	340	10	240
SMV3225 - 221H/H-J	140	180	1250	1500	6.5	200	220	360	10	220
SMV3225 - 241H/H-J	150	200	1250	1500	7.5	200	240	395	10	200
SMV3225 - 271H/H-J	175	225	1250	1500	8.0	200	270	455	10	170
SMV3225 - 331H/H-J	210	270	1250	1500	9.5	200	330	545	10	155
SMV3225 - 361H/H-J	230	300	1250	1500	11.0	200	360	595	10	140
SMV3225 - 391H/H-J	250	320	1250	1500	12.0	200	390	650	10	120
SMV3225 - 431H/H-J	275	350	1250	1500	13.5	200	430	710	10	120
SMV3225 - 471H/H-J	300	385	1250	1500	15.0	200	470	775	10	110
SMV3225 - 511H/H-J	320	420	1250	1500	16.0	200	510	845	10	105
SMV3225 - 561H/H-J	350	460	1250	1500	16.5	200	560	930	10	100
SMV3225 - 621H/H-J	385	505	1250	1500	17.0	200	620	1025	10	95
SMV3225 - 681H/H-J	420	560	1250	1500	18.0	200	680	1120	10	90
SMV3225 - 751H/H-J	460	615	1250	1500	18.5	200	750	1240	10	75

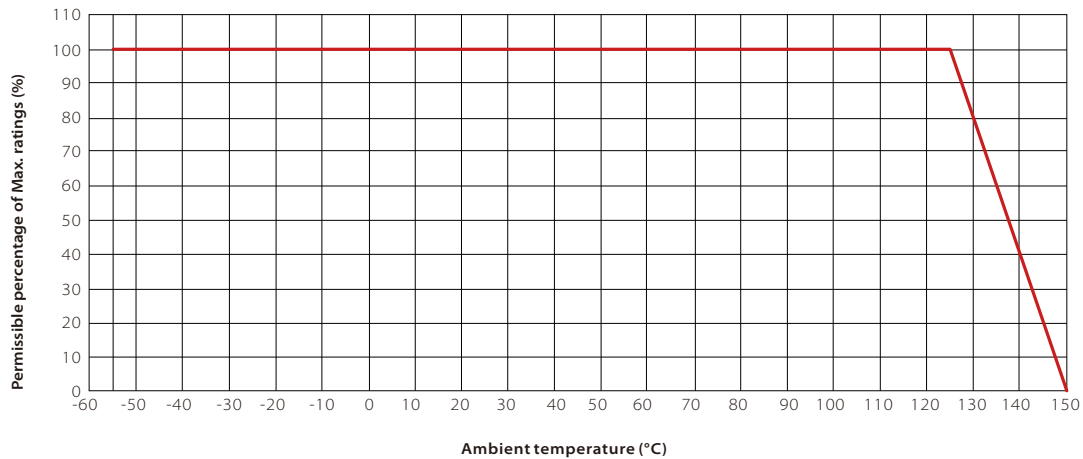
SOLDERING PARAMETERS

Reflow Condition		Lead-free assembly
Pre Heat	Temperature Max ($T_{s(min)}$)	150°C
	Temperature Max ($T_{s(max)}$)	200°C
	Time (min to max) (t_s)	60 – 180 secs
Average ramp up rate (Liquidus Temp (T_L) to peak)		3°C/second max
$T_{s(max)}$ to T_L - Ramp-up Rate		3°C/second max
Reflow	Temperature (T_L) (Liquidus)	217°C
	Time (min to max) (t_L)	60 – 150 seconds
Peak Temperature (T_p)		260°C
Time within 5°C of actual peak Temperature (t_p)		20 – 40 seconds
Ramp-down Rate		6°C/second max
Time 25°C to peak Temperature (T_p)		8 minutes max.
Do not exceed		260°C

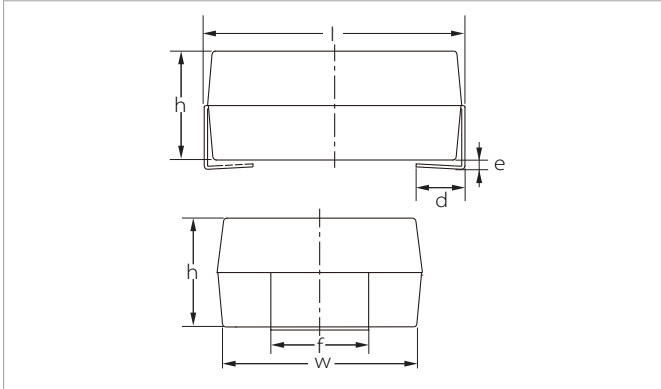


TEMPERATURE RATING CURVE

Max. current, energy, operating voltage and average power dissipation depending on ambient temperature

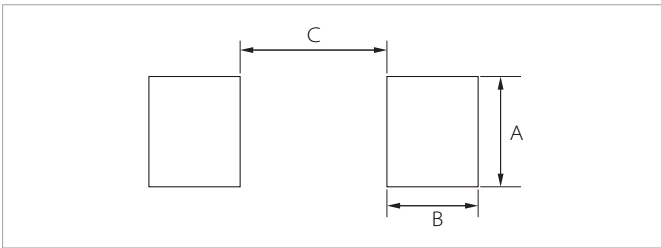


PACKAGE INFORMATION



Ref.	Millimeters			Inches		
	Min.	Typ.	Max.	Min.	Typ.	Max.
l	7.80		8.60	0.307		0.339
w	6.00		6.60	0.236		0.260
h	3.30		4.00	0.130		0.157
d	1.20		1.80	0.047		0.071
e	0		0.30	0		0.012
f	2.70		3.30	0.106		0.130

RECOMMENDED PAD LAYOUT DIMENSIONS



Ref.	Millimeters			Inches		
	Min.	Typ.	Max.	Min.	Typ.	Max.
A		3.50			0.138	
B		2.80			0.110	
C		4.50			0.177	

ORDERING INFORMATION

Part Number	Component Package	QTY/Reel	Reel Size
SMV3225 series	3225	1000PCS	13"

Headquarters

No.3387 Shendu Road Pujiang
I&E Park
Minhang Shanghai China
201000

Hotline

400-021-5756

Web

<https://www.semiware.com>

Sales Center

Tel: 86-21-3463-7458
Email: sales18@semiware.com

Customer Service

Tel: 86-21-5484-1001
Email: sales17@semiware.com

Technical Support

Tel: 86-21-3463-7654
Email: fae01@semiware.com

Complaint & Suggestions

Tel: 86-21-3463-7172
Ext: 8868
Email: cs03@semiware.com

By QR Code

Website



Wechat

To find your local partner within Semiware's global network: www.semiware.com

© 2022 Semiware Semiconductor Inc.

The content of this document has been carefully checked and understood. However, neither Semiware nor its subsidiaries assume any liability whatsoever for any errors or inaccuracies of this document and the consequences thereof. Published specifications are subject to change without notice. Product suitability for any area of application must ultimately be determined by the customer. In all cases, products must never be operated outside their published specifications. Semiware does not guarantee the availability of all published products. This disclaimer shall be governed by substantive Chinese law and resulting disputes shall be settled by the courts at the place of business of Semiware. Latest publications and a complete disclaimer can be downloaded from the Semiware website. All trademarks recognized.