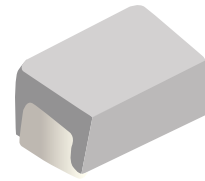


FEATURES

- | Improved component design in a compact case
- | High surge current capability of up to 2.5 kA-3.0kA
- | Superior performance at high temperature
- | White package design without shadow in LED lighting application
- | SMD mountable disk varistors, suitable for lead-free reflow / wave soldering



4032

APPLICATIONS

- | Power supplies for telecommunication systems
- | Protection for LED circuits
- | Protection for consumer, industrial equipment
- | Protection for automotive electronics

APPLICABLE STANDARDS

- | UL1449
- | TUV RH IEC61051-1

APPROVALS

RoHS	Compliance with 2011/65/EU
HF	Compliance with IEC61249-2-21:2003

GENERAL TECHNICAL DATA

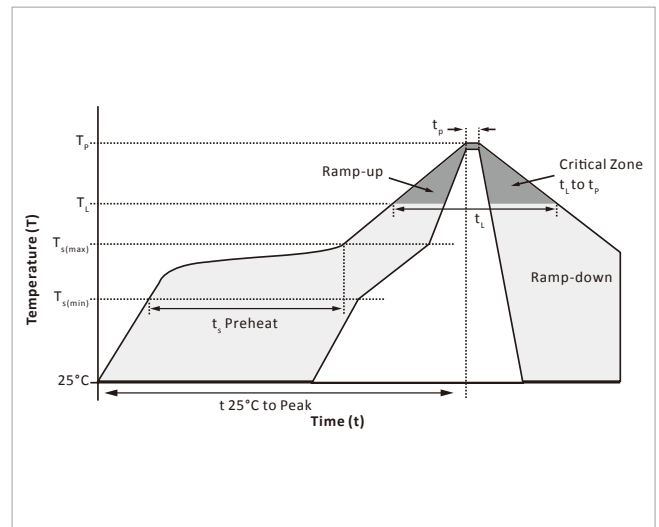
Parameter	Value	Unit
Operating temperature	-55 to +125	°C
Storage temperature	-55 to +150	°C
Electric strength	≥2.5	kV _{RMS}
Insulation resistance	≥100	MQ

ELECTRICAL CHARACTERISTICS

Part Number	Continious Voltage		Peak Current (8/20us)		Energy	Rated Power (Ta=125 °C)	Varistor Voltage at 1mA (±10%)	Clamping Voltage at Class Current (8/20 ps)	Class Current (8/20 ps)	Capacitance (Ta=125 °C) Max (at 1 kHz) Max
	Max		Max		Max					
	V _{RMS}	V _{DC}	H 1time	H-J 1time	2ms1time					
	(V)	(V)	(A)	(A)	(J)					
SMV4032 -180H/H-J	11	14	500	1000	2.2	50	18	36	5	16000
SMV4032 -220H/H-J	14	18	500	1000	2.6	50	22	43	5	11000
SMV4032 -270H/H-J	17	22	500	1000	3.2	50	27	53	5	8000
SMV4032 -330H/H-J	20	26	500	1000	4.0	50	33	65	5	6300
SMV4032 -390H/H-J	25	31	500	1000	4.7	50	39	77	5	5200
SMV4032 -470H/H-J	30	38	500	1000	5.6	50	47	93	5	4600
SMV4032 -560H/H-J	35	45	500	1000	6.7	50	56	110	5	3750
SMV4032 -680H/H-J	40	56	500	1000	8.2	50	68	135	5	2800
SMV4032 -820H/H-J	50	65	2500	3000	10	400	82	135	25	2000
SMV4032 -101H/H-J	60	85	2500	3000	12	400	100	165	25	1700
SMV4032 -121H/H-J	75	100	2500	3000	14.5	400	120	200	25	1400
SMV4032 -151H/H-J	95	125	2500	3000	18	400	150	250	25	1100
SMV4032 -181H/H-J	115	150	2500	3000	25	400	180	300	25	430
SMV4032 -201H/H-J	130	170	2500	3000	25	400	200	340	25	430
SMV4032 -221H/H-J	140	180	2500	3000	27.5	400	220	360	25	410
SMV4032 -241H/H-J	150	200	2500	3000	30	400	240	395	25	380
SMV4032 -271H/H-J	175	225	2500	3000	35	400	270	455	25	350
SMV4032 -331H/H-J	210	270	2500	3000	42	400	330	545	25	300
SMV4032 -361H/H-J	230	300	2500	3000	45	400	360	595	25	300
SMV4032 -391H/H-J	250	320	2500	3000	50	400	390	650	25	300
SMV4032 -431H/H-J	275	350	2500	3000	55	400	430	710	25	270
SMV4032 -471H/H-J	300	385	2500	3000	60	400	470	775	25	230
SMV4032 -511H/H-J	320	420	2500	3000	67	400	510	845	25	210
SMV4032 -561H/H-J	350	460	2500	3000	67	400	560	930	25	200
SMV4032 -621H/H-J	385	505	2500	3000	67	400	620	1025	25	190
SMV4032 -681H/H-J	420	560	1750	2500	67	400	680	1120	25	170
SMV4032 -751H/H-J	460	615	1750	2500	70	400	750	1240	25	160

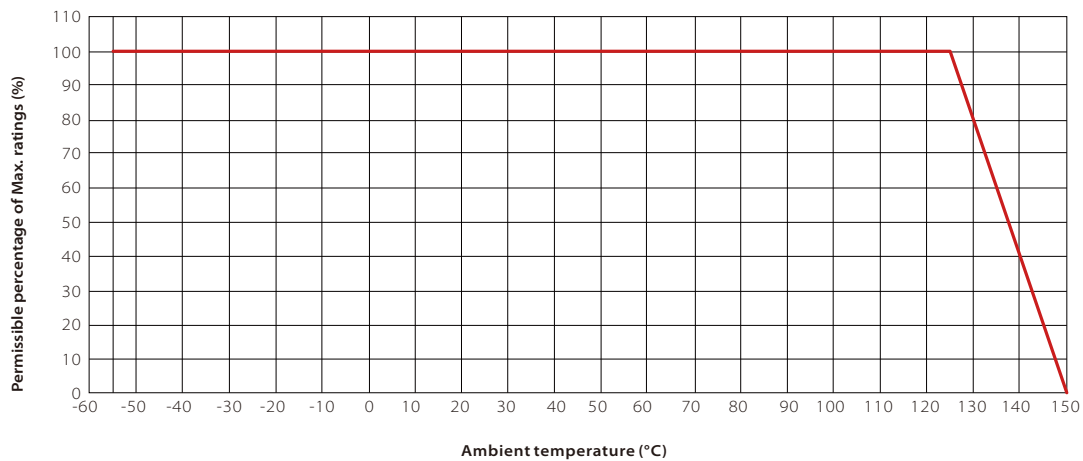
SOLDERING PARAMETERS

Reflow Condition		Lead-free assembly
Pre Heat	Temperature Max ($T_{s(min)}$)	150°C
	Temperature Max ($T_{s(max)}$)	200°C
	Time (min to max) (t_s)	60 – 180 secs
Average ramp up rate (Liquidus Temp (T_L) to peak)		3°C/second max
$T_{s(max)}$ to T_L - Ramp-up Rate		3°C/second max
Reflow	Temperature (T_L) (Liquidus)	217°C
	Time (min to max) (t_L)	60 – 150 seconds
Peak Temperature (T_p)		260°C
Time within 5°C of actual peak Temperature (t_p)		20 – 40 seconds
Ramp-down Rate		6°C/second max
Time 25°C to peak Temperature (T_p)		8 minutes max.
Do not exceed		260°C

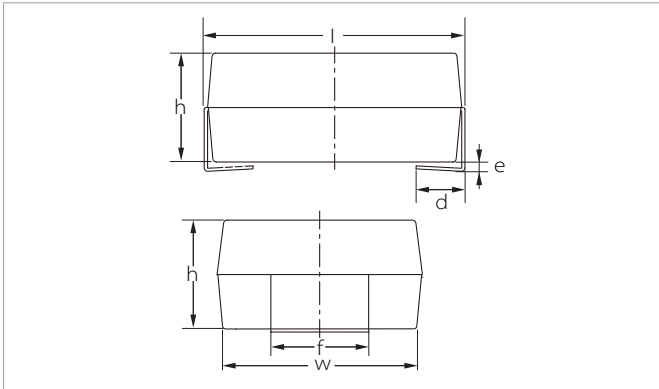


TEMPERATURE RATING CURVE

Max. current, energy, operating voltage and average power dissipation depending on ambient temperature

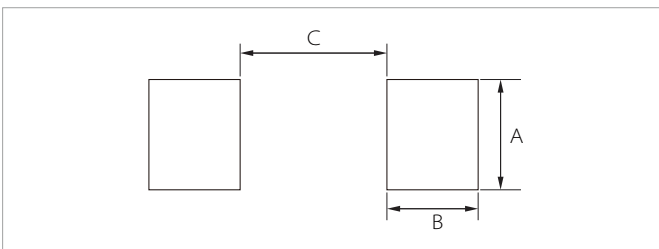


PACKAGE INFORMATION



Ref.	Millimeters			Inches		
	Min.	Typ.	Max.	Min.	Typ.	Max.
l	10.20		11.00	0.402		0.433
w	7.90		8.50	0.311		0.335
h	3.75		4.50	0.173		0.197
d	1.20		1.80	0.047		0.071
e	0		0.30	0		0.012
f	2.70		3.30	0.106		0.130

RECOMMENDED PAD LAYOUT DIMENSIONS



Ref.	Millimeters			Inches		
	Min.	Typ.	Max.	Min.	Typ.	Max.
A		3.50			0.138	
B		2.80			0.110	
C		6.50			0.256	

ORDERING INFORMATION

Part Number	Component Package	QTY/Reel	Reel Size
SMV4032 series	4032	1000PCS	13"

Headquarters

No.3387 Shendu Road Pujiang
I&E Park
Minhang Shanghai China
201000

Hotline

400-021-5756

Web

<https://www.semiware.com>

Sales Center

Tel: 86-21-3463-7458
Email: sales18@semiware.com

Customer Service

Tel: 86-21-5484-1001
Email: sales17@semiware.com

Technical Support

Tel: 86-21-3463-7654
Email: fae01@semiware.com

Complaint & Suggestions

Tel: 86-21-3463-7172
Ext: 8868
Email: cs03@semiware.com

By QR Code

Website



Wechat

To find your local partner within Semiware's global network: www.semiware.com

© 2022 Semiware Semiconductor Inc.

The content of this document has been carefully checked and understood. However, neither Semiware nor its subsidiaries assume any liability whatsoever for any errors or inaccuracies of this document and the consequences thereof. Published specifications are subject to change without notice. Product suitability for any area of application must ultimately be determined by the customer. In all cases, products must never be operated outside their published specifications. Semiware does not guarantee the availability of all published products. This disclaimer shall be governed by substantive Chinese law and resulting disputes shall be settled by the courts at the place of business of Semiware. Latest publications and a complete disclaimer can be downloaded from the Semiware website. All trademarks recognized.