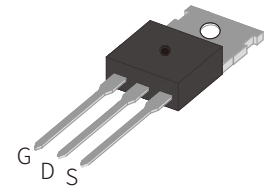


FEATURES

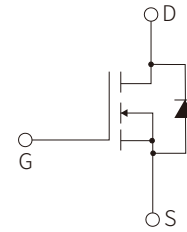
- | Low Gate Charge
- | Low Crss
- | Fast Switching
- | Improved dv/dt and ESD Capability
- | 100% Avalanche energy test



TO-220C

APPLICATION

- | High Frequency Switched-Mode Power Supply
- | Electronic lamp ballasts
- | UPS



Schematic Symbol

APPROVALS

RoHS	Compliance with 2011/65/EU
HF	Compliance with IEC61249-2-21:2003

ABSOLUTE MAXIMUM RATINGS (T_A=25°C)

Parameter	Symbol	Value	Unit
Drain-Source Voltage	V _{DSS}	800	V
Continuous Drain Current	I _D	T _C =25°C	12*
		T _C =100°C	6*
Plused Drain Current ^(note1)	I _{DM}	36	A
Gate-Source Voltage	V _{GS}	±30	V
Avalanche Current ^(note1)	I _{AR}	12	A
Repetitive Avalanche Energy ^(note1)	E _{AR}	20	mJ
Single Pulsed Avalanche Energy ^(note2)	E _{AS}	225	mJ
Peak Diode Recovery ^(note3)	dv/dt	4.5	V/ns
Power Dissipation T _C =25°C	P _D	140	W
Power Dissipation Derating Factor Above 25°C	P _{D(DF)}	1.12	W/°C
Maximum Temperature for Soldering	T _L	300	°C
Operating Junction Temperature Range	T _J	150	°C
Storage Temperature Range	T _{STG}	-55 to +150	°C
Thermal Resistance, Junction to Case	R _{th(j-c)}	0.89	°C/W
Thermal Resistance, Junction to Ambient	R _{th(j-a)}	62.5	°C/W

* Drain current limited by maximum junction temperature

ELECTRICAL CHARACTERISTICS (T_A=25°C)

Parameter	Symbol	Test Conditions	Min.	Typ.	Max.	Unit	
Off Characteristics							
Drain-Source Breakdown Voltage	BV _{DSS}	V _{GS} =0V, I _D =250μA	800			V	
Breakdown Voltage Temperature Coefficient	ΔBV _{DSS} / ΔT _J	I _D =250μA, referenced to 25°C		0.7		V/°C	
Zero Gate Voltage Drain Current	I _{DSS}	V _{DS} =800V, V _{GS} =0V, T _C =25°C			1	μA	
		V _{DS} =640V, T _C =125°C			100	μA	
Gate Leakage Current	I _{GSS}	V _{GS} =30V, V _{DS} =0V			100	nA	
		V _{GS} =-30V, V _{DS} =0V			-100	nA	
On Characteristics							
Gate Threshold Voltage	V _{GS(th)}	V _{DS} =V _{GS} , I _D =250μA	2.0		4.0	V	
Drain-Source On-Resistance	R _{DS(on)}	V _{GS} =10V, I _D =6A		0.6	0.8	Ω	
Forward Transconductance	g _{FS}	V _{DS} =40V, I _D =6A (note 4)		5.7		S	
Dynamic Characteristics							
Input Capacitance	C _{iss}	V _{DS} = 25V, V _{GS} = 0V, f=1.0MHz		2100		pF	
Output Capacitance	C _{oss}				225		pF
Reverse Transfer Capacitance	C _{rss}				32		pF
Turn-On Delay Time	t _{d(on)}	V _{DD} =400V, I _D =12A, R _G =25Ω (note 4,5)		38		ns	
Turn-On Rise Time	t _r			105		ns	
Turn-Off Delay Time	t _{d(off)}			55		ns	
Turn-Off Fall Time	t _f			65		ns	
Total Gate Charge	Q _g				34		nC
Gate-Source Charge	Q _{gs}	V _{DS} =640V, I _D =12A, V _{GS} =10V (note 4,5)		8.7		nC	
Gate-Drain Charge	Q _{gd}			13		nC	
Maximum Continuous Drain-Source Diode Forward Current	I _S				12	A	
Maximum Pulsed Drain-Source Diode Forward Current	I _{SM}				36	A	
Drain-Source Diode Forward Voltage	V _{SD}	I _S =12A, V _{GS} =0V			1.4	V	
Reverse Recovery Time	t _{rr}	I _S =12A, V _{GS} =0V, di _f /dt=100A/μs(note 4)		650		ns	
Reverse Recovery Charge	Q _{rr}				7.0		μC

Notes:

1: Pulse width limited by maximum junction temperature
 3: I_{SD} ≤ 12A, di/dt ≤ 300A/μs, V_{DD} ≤ BV_{DSS}, Starting T_J=25°C
 5: Essentially independent of operating temperature

2: L=0.5mH, I_{AS}=30A, V_{DD}=50V, R_G=25Ω, Starting T_J=25°C
 4: Pulse Test: Pulse Width ≤ 300μs, Duty Cycle ≤ 2%

CHARACTERISTIC CURVES

Fig.1 On-State Characteristics

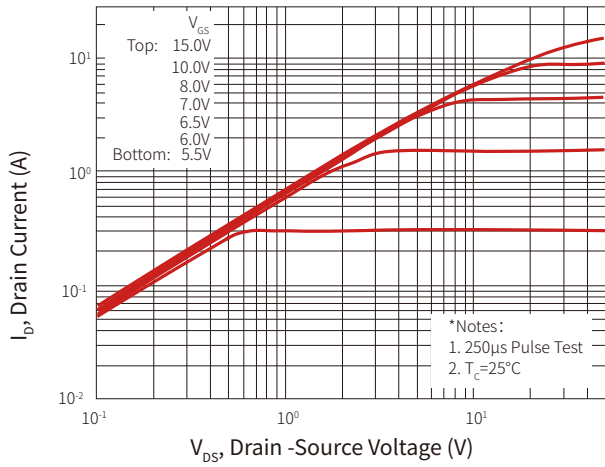


Fig.2 Transfer Characteristics

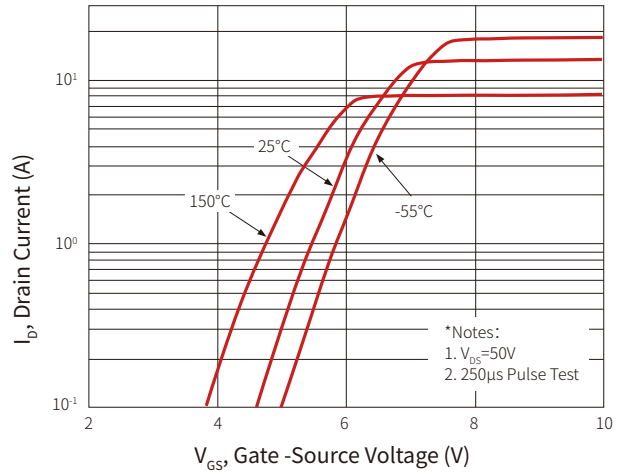


Fig.3 Capacitance Characteristics

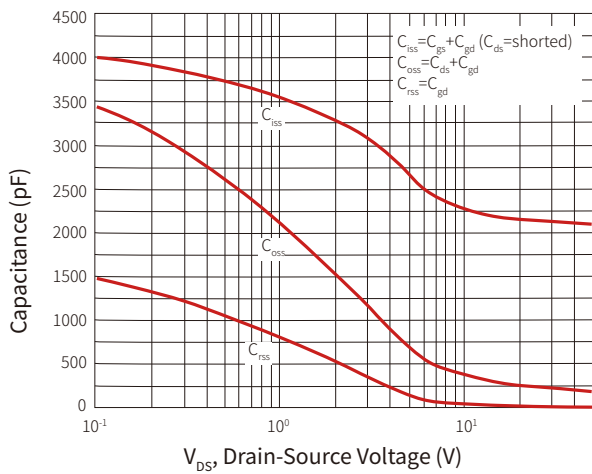


Fig. 4 Gate Charge Characteristics

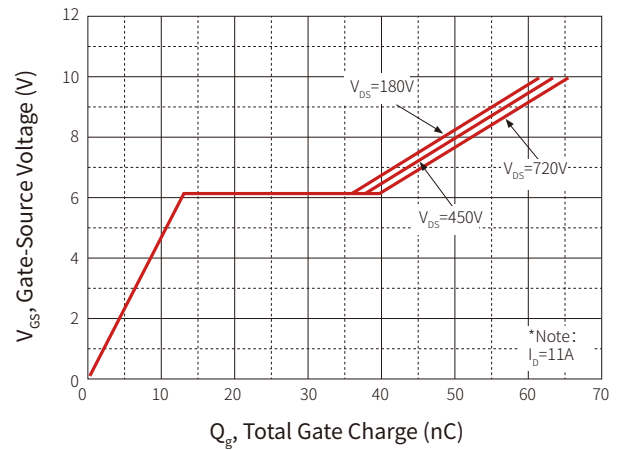


Fig.5 Maximum Safe Operating Area

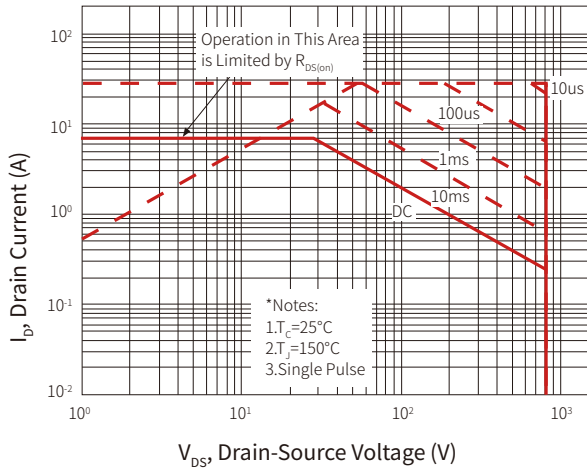


Fig.6 Maximum Drain Current vs Case Temperature

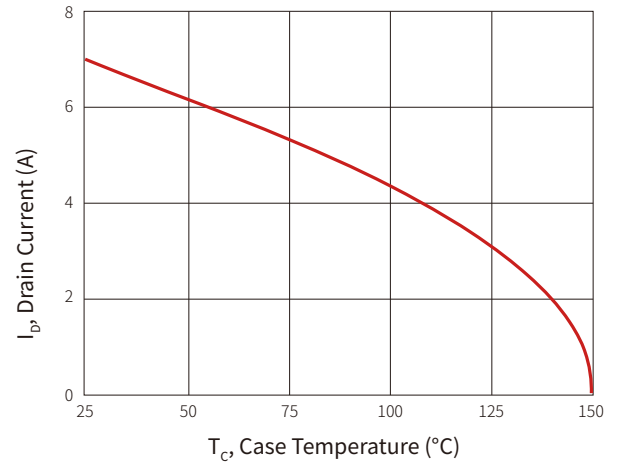


Fig.7 Transient Thermal Response Curve

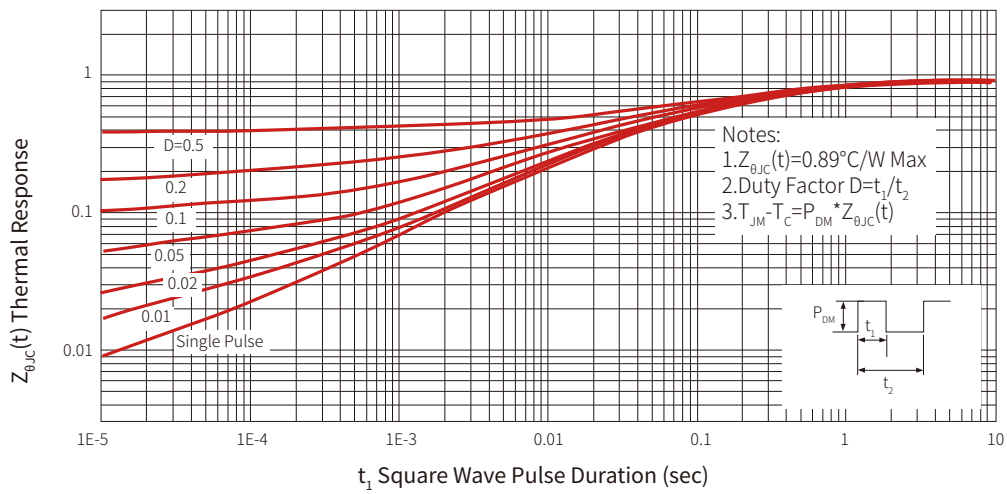


Fig.8 Resistive Switching Test Circuit & Waveforms

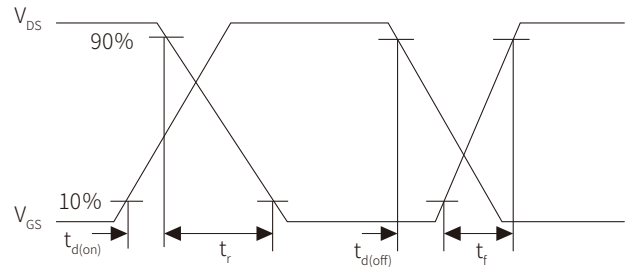
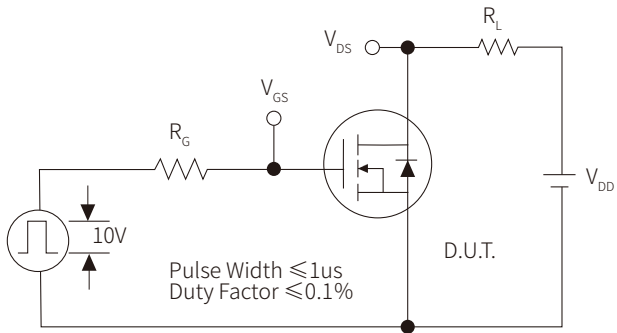


Fig.9 Gate Charge Test Circuit & Waveform

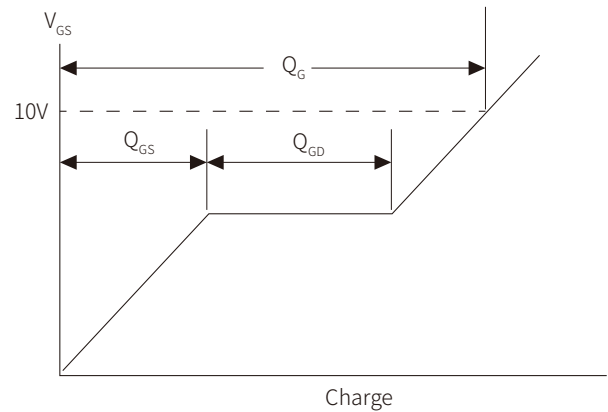
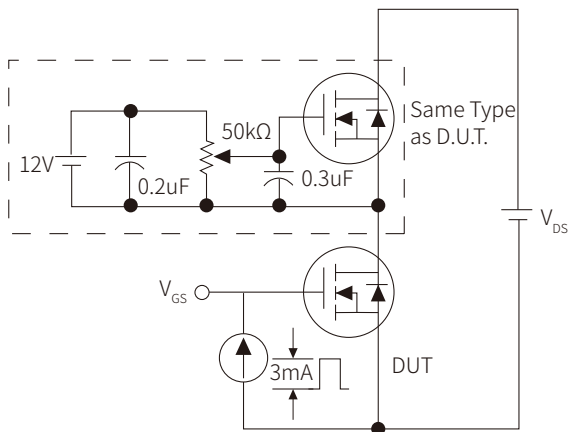
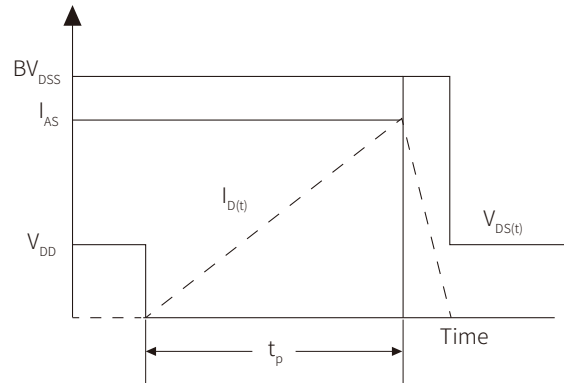
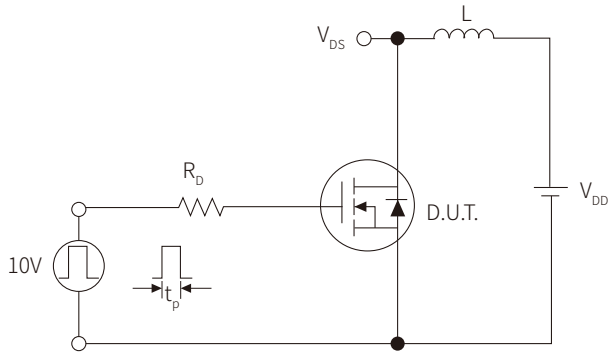
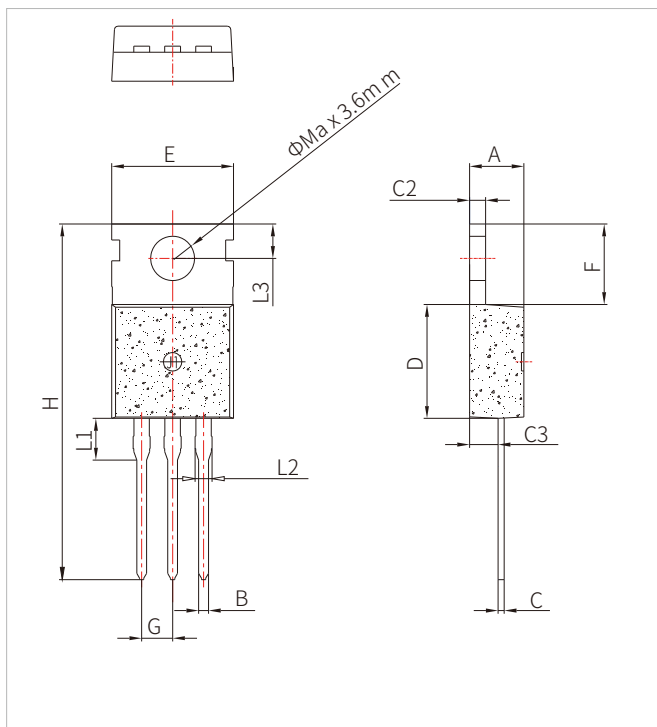



Fig.10 Unclamped Inductive Switching Test Circuit & Waveforms


TO-220C PACKAGE MECHANICAL DATA



Ref.	Dimensions					
	Millimeters			Inches		
	Min.	Typ.	Max.	Min.	Typ.	Max.
A	4.30		4.70	0.169		0.185
B	0.70		0.90	0.028		0.035
C	0.45		0.60	0.018		0.024
C2	1.23		1.32	0.048		0.052
C3	2.20		2.60	0.087		0.102
D	8.80		10.0	0.346		0.394
E	9.90		10.3	0.390		0.406
F	6.30		6.90	0.248		0.272
G		2.54			0.1	
H	28.0		30.0	1.102		1.181
L1		3.10			0.122	
L2	1.14		1.70	0.045		0.067
L3	2.65		2.95	0.104		0.116
Φ		3.6			0.142	

ORDERING INFORMATION

Part Number	Package	Marking	Qty/pcs		
			Tube	Inner Box	Carton
SNM12N80C	TO-220C	 12N80 XXXX	50	1000	5000

Headquarters

No.3387 Shendu Road
Pujiang I&E Park
Minhang Shanghai China
201000

Hotline

400-021-5756

Web

<https://www.semiware.com>

Sales Center

Tel: 86-21-3463-7458
Email: sales18@semiware.com

Customer Service

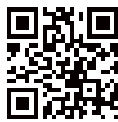
Tel: 86-21-5484-1001
Email: sales17@semiware.com

Technical Support

Tel: 86-21-3463-7654
Email: fae01@semiware.com

Complaint & Suggestions

Tel: 86-21-3463-7172
Ext: 8868
Email: cs03@semiware.com

By QR Code

Website



Wechat

To find your local partner within Semiware' s global website: www.semiware.com

© 2022 Semiware Semiconductor Inc.

The content of this document has been carefully checked and understood. However, neither Semiware nor its subsidiaries assume any liability whatsoever for any errors or inaccuracies of this document and the consequences thereof. Published specifications are subject to change without notice. Product suitability for any area of application must ultimately be determined by the customer. In all cases, products must never be operated outside their published specifications. Semiware does not guarantee the availability of all published products. This disclaimer shall be governed by substantive Chinese law and resulting disputes shall be settled by the courts at the place of business of Semiware. Latest publications and a complete disclaimer can be downloaded from the Semiware website. All trademarks recognized.