

FEATURES

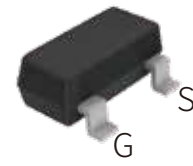
- | Low on-resistance

- | Fast switching speed

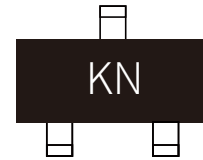
- | Low voltage drive makes this device ideal for
Portable equipment

- | Easily designed drive circuits

- | Easy to parallel



SOT-523

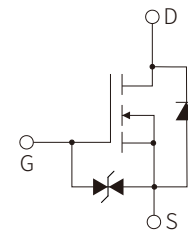


Marking

APPLICATION

- | Epoxy UL: 94V-0

- | Mounting Position: Any



Schematic Symbol

APPROVALS

RoHS	Compliance with 2011/65/EU
HF	Compliance with IEC61249-2-21:2003

ABSOLUTE MAXIMUM RATINGS (T_A = 25°C)

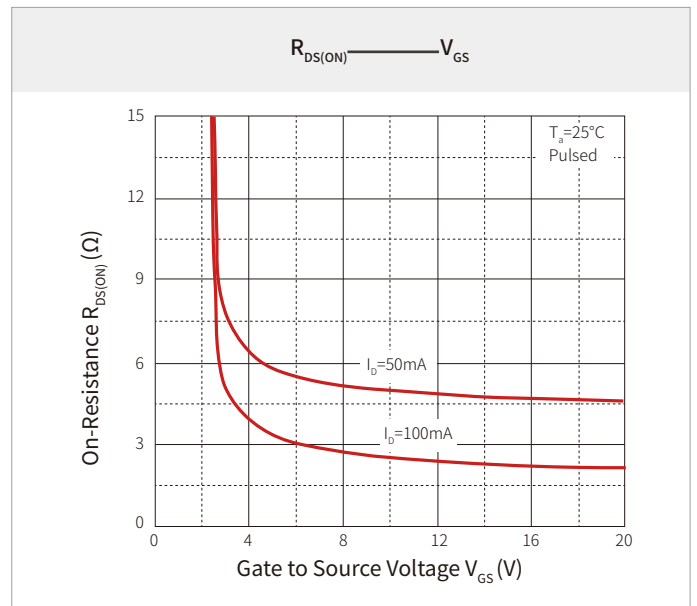
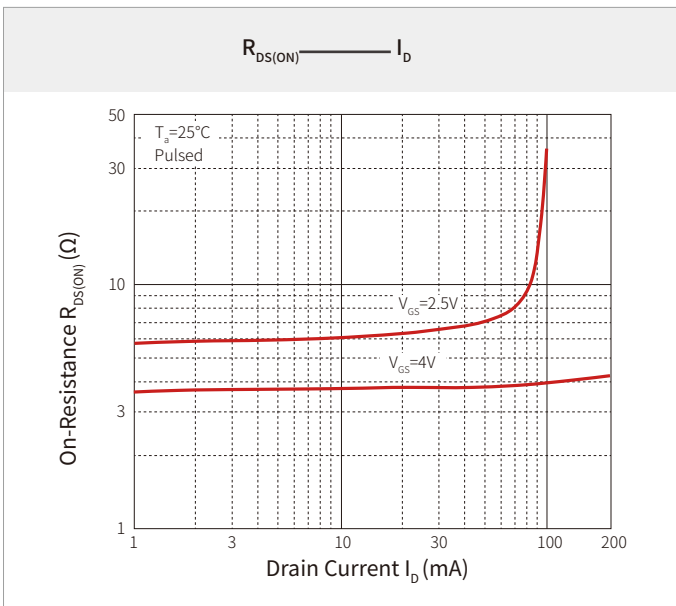
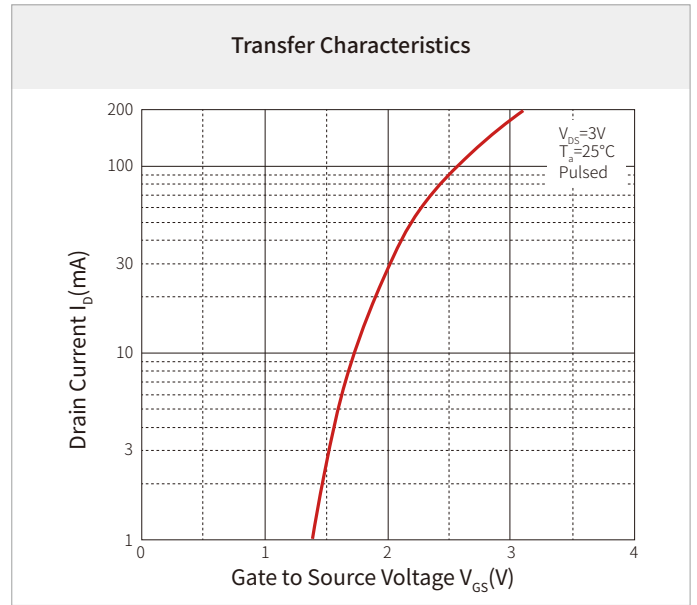
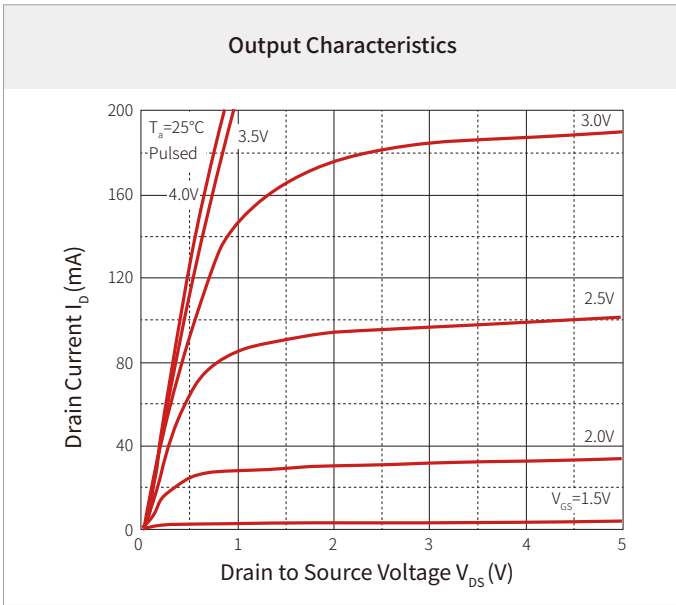
Parameter	Symbol	Value	Unit
Drain-Source Voltage	V _{DSS}	30	V
Gate-Source Voltage	V _{GS}	±20	V
Continuous Drain Current	I _D	0.1	A
Power Dissipation	P _D	0.15	W
Junction Temperature	T _J	150	°C
Storage Temperature	T _{STG}	-50- +150	°C
Thermal Resistance From Junction to Ambient	R _{θJA}	833	°C/W

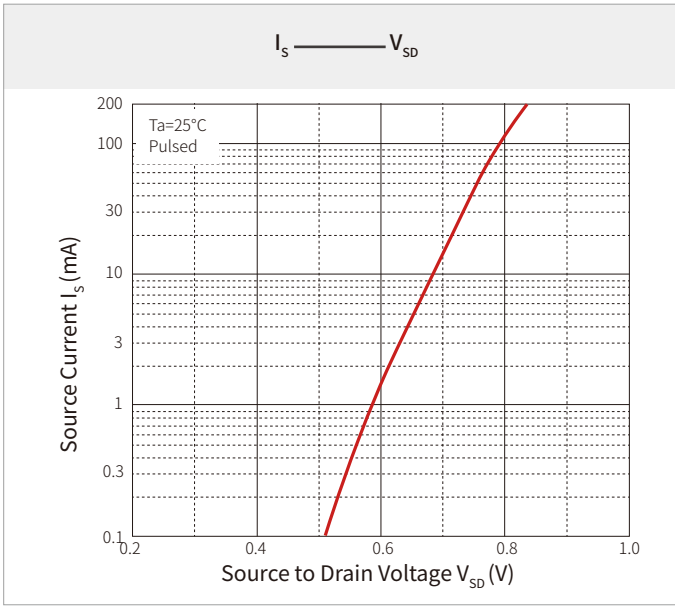
ELECTRICAL CHARACTERISTICS (T_A=25°C)

Parameter	Symbol	Test Conditions	Min.	Typ.	Max.	Unit
Off Characteristics						
Drain-source Breakdown Voltage	V _{DSS}	V _{GS} =0V, I _D =10μA	30			V
Gate-Threshold voltage	V _{GS(th)}	V _{DS} =3V, I _D =100μA	0.8		1.5	V
Zero Gate Voltage Drain current	I _{DSS}	V _{DS} =30V, V _{GS} =0V			1	μA
Gate Leakage Current	I _{GSS}	V _{GS} =±20V, V _{DS} =0V			±2	μA
Forward Transconductance	g _{FS}	V _{DS} =3V, I _D =10mA	20			mS
Drain-Source On-Resistance	R _{DS(on)}	V _{GS} =4V, I _D =10mA			8	Ω
		V _{GS} =2.5V, I _D =1mA			13	Ω
Dynamic Characteristics*						
Input capacitance	C _{ISS}	V _{DS} = 5V, V _{GS} = 0V, f=1MHz		13		pF
Output capacitance	C _{OSS}			9		pF
Reverse Transfer capacitance	C _{rss}			4		pF
Switching Characteristics*						
Turn-On Delay Time	td(on)	V _{GS} =5V, V _{DD} =5V, I _D =10mA R _g =10Ω, R _L =500Ω		15		ns
Rise Time	tr			35		ns
Turn-Off Delay Time	td(off)			80		ns
Fall Time	t _f			80		ns

* These parameters have no way to verify.

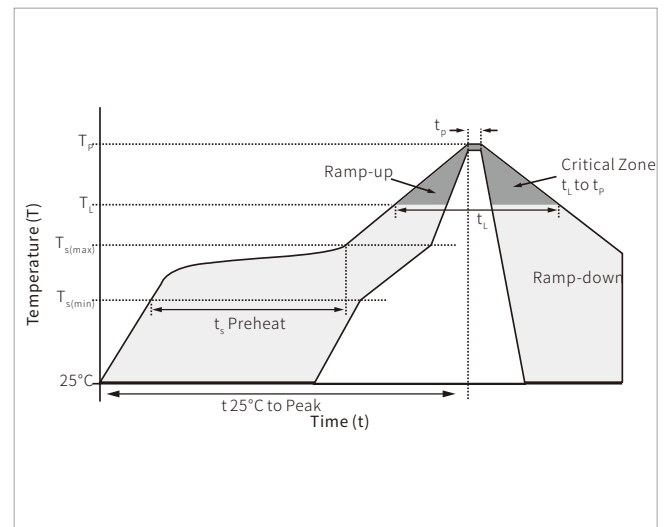
CHARACTERISTIC CURVES



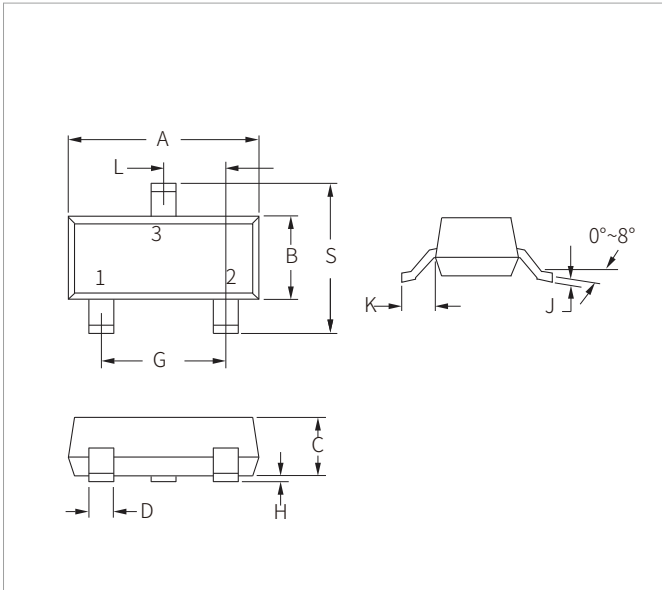


SOLDERING PARAMETERS

Reflow Condition		Lead-free assembly
Pre Heat	Temperature Max ($T_{s(min)}$)	150°C
	Temperature Max ($T_{s(max)}$)	200°C
	Time (min to max) (t_s)	60 – 180 secs
Average ramp up rate (Liquidus Temp (T_L) to peak)		3°C/second max
$T_{s(max)}$ to T_L - Ramp-up Rate		3°C/second max
Reflow	Temperature (T_L) (Liquidus)	217°C
	Time (min to max) (t_L)	60 – 150 seconds
Peak Temperature (T_p)		260°C
Time within 5°C of actual peak Temperature (t_p)		20 – 40 seconds
Ramp-down Rate		6°C/second max
Time 25°C to peak Temperature (T_p)		8 minutes max.
Do not exceed		260°C

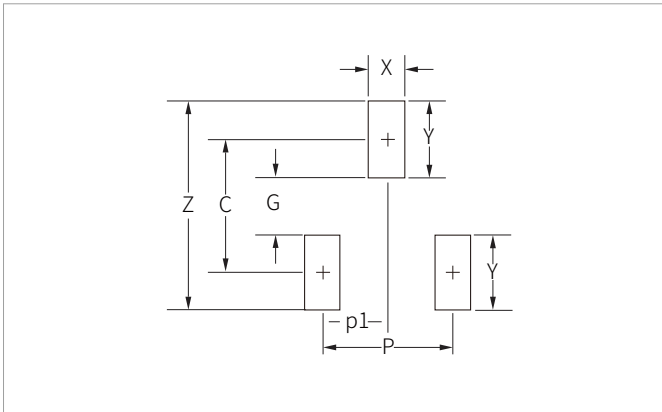


SOT-523 PACKAGE INFORMATION



Ref.	Millimeters		Inches	
	Min.	Max.	Min.	Max.
A	1.50	1.70	0.059	0.067
B	0.70	0.90	0.028	0.035
C	0.60	0.90	0.023	0.035
D	0.15	0.30	0.005	0.012
G	1.00BSC		0.039BSC	
H	0.00	0.10	0.000	0.004
J	0.10	0.20	0.004	0.008
K	(0.22)		(0.009)	
L	0.50BSC		0.020BSC	
S	1.45	1.75	0.057	0.069

RECOMMENDED PAD LAYOUT DIMENSIONS



Ref.	Millimeters	Inches
C	(1.40)	(0.055)
P	1.00	0.039
p1	0.50	0.020
G	0.60	0.024
X	0.40	0.016
Y	0.80	0.031
Z	2.20	0.087

ORDERING INFORMATION

Part Number	Component Package	QTY/Reel	Reel Size
SNM2SK3019T	SOT-523	3000PCS	7"

Headquarters

No.3387 Shendu Road
Pujiang I&E Park
Minhang Shanghai China
201000

Hotline

400-021-5756

Web

<https://www.semiware.com>

Sales Center

Tel: 86-21-3463-7458
Email: sales18@semiware.com

Customer Service

Tel: 86-21-5484-1001
Email: sales17@semiware.com

Technical Support

Tel: 86-21-3463-7654
Email: fae01@semiware.com

Complaint & Suggestions

Tel: 86-21-3463-7172
Ext: 8868
Email: cs03@semiware.com

By QR Code

Website



Wechat

To find your local partner within Semiware' s global website: www.semiware.com

© 2022 Semiware Semiconductor Inc.

The content of this document has been carefully checked and understood. However, neither Semiware nor its subsidiaries assume any liability whatsoever for any errors or inaccuracies of this document and the consequences thereof. Published specifications are subject to change without notice. Product suitability for any area of application must ultimately be determined by the customer. In all cases, products must never be operated outside their published specifications. Semiware does not guarantee the availability of all published products. This disclaimer shall be governed by substantive Chinese law and resulting disputes shall be settled by the courts at the place of business of Semiware. Latest publications and a complete disclaimer can be downloaded from the Semiware website. All trademarks recognized.