

FEATURES

- | Bilateral symmetrical.
- | Less decay at on/off state.
- | High capability to withstand repeated lightning strikes.
- | Low electrode capacitance($\leq 1.0\text{pF}$) and high isolation ($\geq 100\text{M}\Omega$).
- | Working temperature range: $-45^{\circ}\text{C} \sim +85^{\circ}\text{C}$
- | Storing temperature range: $-45^{\circ}\text{C} \sim +85^{\circ}\text{C}$



$\Phi 3.1 \times 4.3/5.3$

APPLICATIONS

- | Power Supplies
- | Motor sparks eliminating
- | Relay switching spark absorbing
- | Data line pulse guarding
- | Telephone/Fax/Modem
- | High frequency signal transmitters/receivers
- | Satellite antenna
- | Radio amplifiers
- | Alarm systems
- | Cathode ray tubes in Monitors/ Television Viewing Systems

APPROVALS

RoHS	Compliance with 2011/65/EU
HF	Compliance with IEC61249-2-21:2003

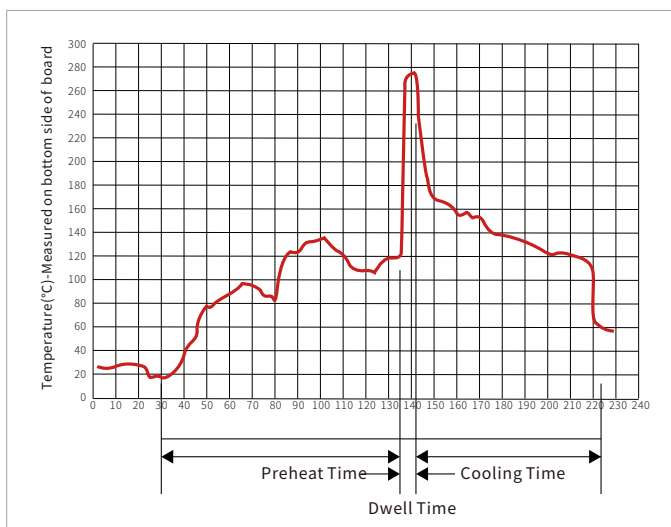
ELECTRICAL CHARACTERISTICS

Part Number	DC Spark-Over Voltage	Min. Insulation Resistance		Max. Capacitance (1kHz-6Vmax.)	Surge Current Capacity	Surge Life Test @8/20μs
	V _s	Test Voltage	I _r	C _j	8/20μs	
	V	V	MΩ	pF	A	
SPG302-141N	140(126-210)	50	100	1	3000	150A 10 times
SPG302-181N	180±30%	50	100	1	3000	150A 10 times
SPG302-201M	200±20%	100	100	1	3000	150A 10 times
SPG302-301M	300±20%	100	100	1	3000	150A 10 times
SPG302-401M	400±20%	250	100	1	3000	150A 10 times
SPG302-501M	500±20%	250	100	1	3000	150A 10 times
SPG302-601M	600±20%	250	100	1	3000	150A 10 times
SPG302-701M	700±20%	250	100	1	3000	150A 10 times
SPG302-102M	1000±20%	500	100	1	3000	150A 10 times
SPG302-122M	1200±20%	500	100	1	3000	150A 10 times
SPG302-152M	1500±20%	500	100	1	3000	150A 10 times
SPG302-202M	2000±20%	500	100	1	3000	150A 10 times
SPG302-242M	2400±20%	500	100	1	3000	150A 10 times
SPG302-302M	3000±20%	500	100	1	3000	150A 10 times

TEST METHODS AND RESULTS

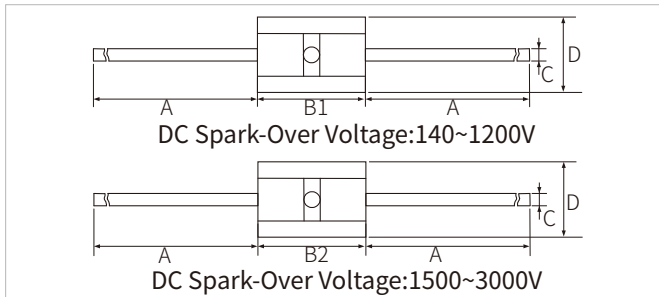
Test Item	Test Method	Specification
DC Spark-over Voltage Vs(V)	Measure starting discharge voltage (Vs) by gradually increasing applied DC voltage. Test current is 0.5mA max. And the DC voltage ascends up within 500V/second.	It depends on each spec.
Insulation Resistance	Measure the insulation resistance across the terminal at regular voltage. But the test voltage doesn't over the DC spark-over voltage.	100MΩ min.
Capacitance Cj(pF)	Measure the electrostatic capacitance by applying a voltage of less than 6V (at 1KHz) between terminals.	1pF max.
Life	10KV with 1500pf condenser is discharged through 0Ω resistor. 200 times at an interval of 10sec.	$ \Delta V_s/V_s \leq 30\%$ Characteristics of other items must meet the specified value.
Surge Current Capacity	1.2/50μs & 8/20μs, 3000A, electrically connected with a resistor (4~6 Ω), ±5 times, each time interval 60 seconds. Thereafter, outer appearance shall be visually examined.	No crack and no failures
Cold Resistance	Measurement after -40°C/1000 HRS & normal temperature/2 HRS.	Features are conformed to rated spec.
Heat Resistance	Measurement after 125°C/1000 HRS & normal temperature/2 HRS.	
Humidity Resistance	Measurement after humidity 90~9°C(45°C) /1000 HRS & normal temperature/2 HRS.	
Temperature Cycle	10 times repetition of cycle -40°C/30min → normal, temp/2 min → 125°C/30min, measurement after normal temp/2 HRS.	

WAVE SOLDERING



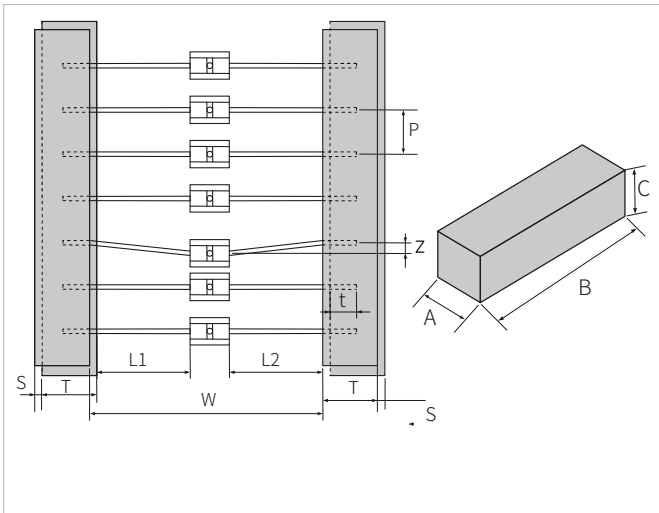
Wave Parameter		Lead-free assembly
Pre Heat	Temperature Min	100°C
	Temperature Max	150°C
	Time(min to max)	60 – 180 secs
Solder pot Temperature		280°C Max
Solder Dwell Time		2-5 seconds

DIMENSIONS



Ref.	Dimensions	
	Millimeters	Inches
A	28±3.0	1.102±0.118
B1	4.3±0.3	0.169±0.012
B2	5.3±0.3	0.209±0.012
C	0.5±0.05	0.02±0.002
D	Φ3.1±0.3	Φ0.122±0.012

TAPING AND REEL SPECIFICATIONS



Ref.	Dimensions	
	Millimeters	Inches
W	52.5±1.5	2.067±0.059
P	5.0±0.5	0.197±0.02
L1-L2	1.0 max	0.039max
T	6.0±1.0	0.236±0.039
Z	1.2max	0.047max
t	3.2max	0.126max
S	0.8max	0.031max
A	75.0	2.953
B	68.0	2.677
C	255.0	10.039

ORDERING INFORMATION

Part Number	Size	QTY/Reel	Description
SPG302-XXXX	Φ3.1*4.3/5.3mm	1500PCS	Box

Headquarters

No.3387 Shendu Road
Pujiang I&E Park
Minhang Shanghai China
201000

Hotline

400-021-5756

Web

<https://www.semiware.com>

Sales Center

Tel: 86-21-3463-7458
Email: sales18@semiware.com

Customer Service

Tel: 86-21-5484-1001
Email: sales17@semiware.com

Technical Support

Tel: 86-21-3463-7654
Email: fae01@semiware.com

Complaint & Suggestions

Tel: 86-21-3463-7172
Ext: 8868
Email: cs03@semiware.com

By QR Code

Website



Wechat

To find your local partner within Semiware's global website: www.semiware.com

© 2022 Semiware Semiconductor Inc.

The content of this document has been carefully checked and understood. However, neither Semiware nor its subsidiaries assume any liability whatsoever for any errors or inaccuracies of this document and the consequences thereof. Published specifications are subject to change without notice. Product suitability for any area of application must ultimately be determined by the customer. In all cases, products must never be operated outside their published specifications. Semiware does not guarantee the availability of all published products. This disclaimer shall be governed by substantive Chinese law and resulting disputes shall be settled by the courts at the place of business of Semiware. Latest publications and a complete disclaimer can be downloaded from the Semiware website. All trademarks recognized.